

6

5

4

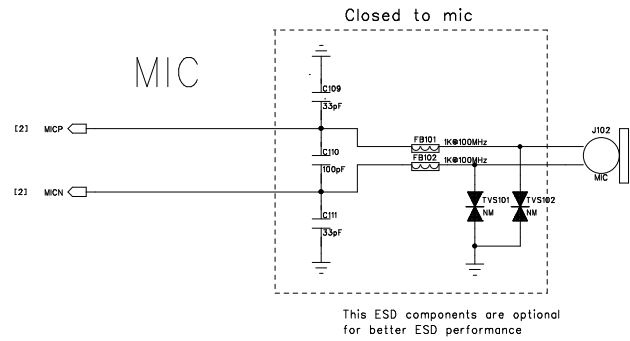
3

2

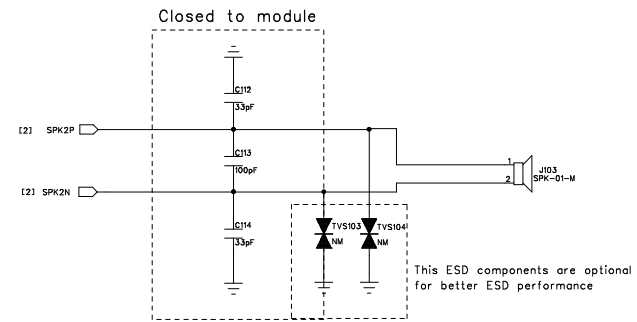
1

D

D



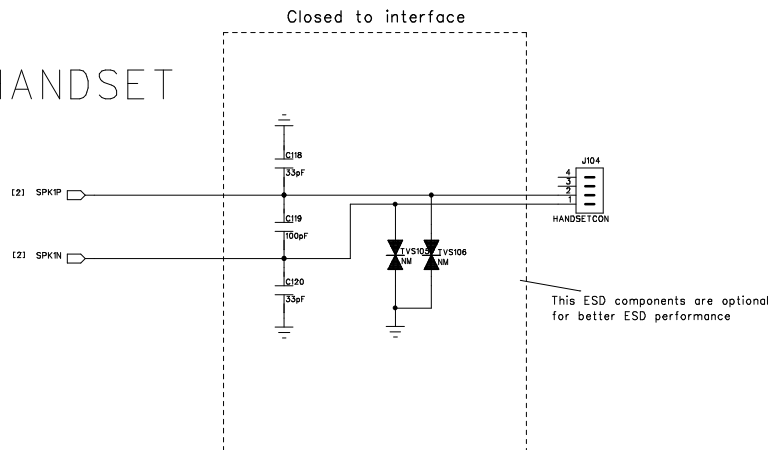
SPEAKER



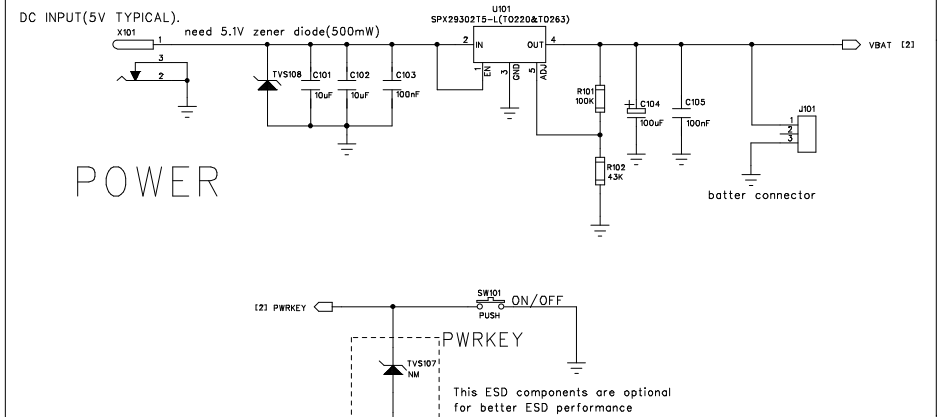
C

C

HANDSET



4.6V 7.0V AC ADAPTER COMMEND CIRCUIT



B

B

A

A

DRAWN BY YANWU.WANG	PROJECT SIM868 Reference Design	TITLE AUDIO
CHECKED BY	SIZE A2	VER 1.01
SHEET 1 of 2		2015-03-10

6

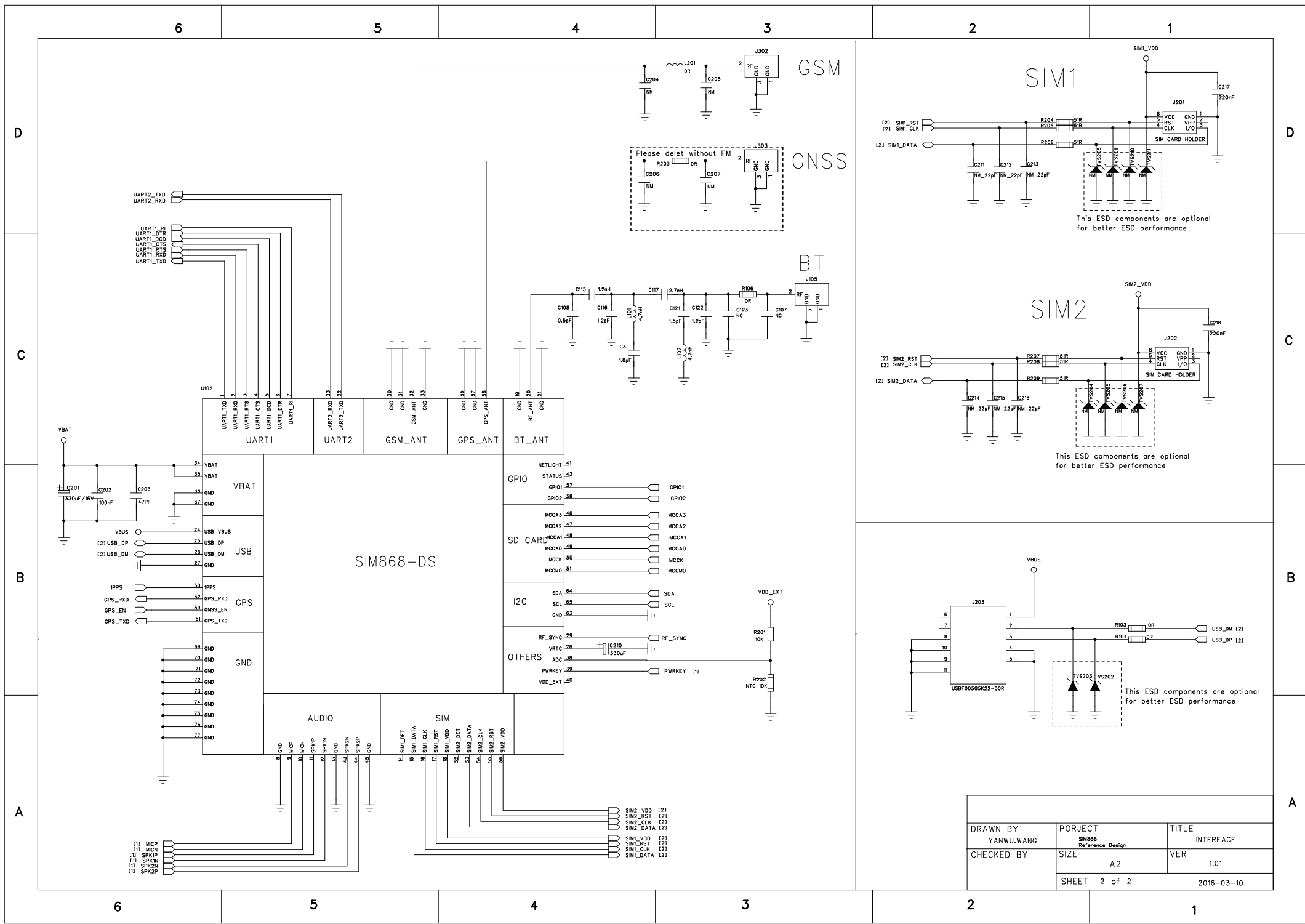
5

4

3

2

1



DRAWN BY YANWU.WANG	PROJECT SIM868 Reference Design	TITLE INTERFACE
CHECKED BY	SIZE A2	VER 1.01
SHEET 2 of 2		2016-03-10