

D

D

C

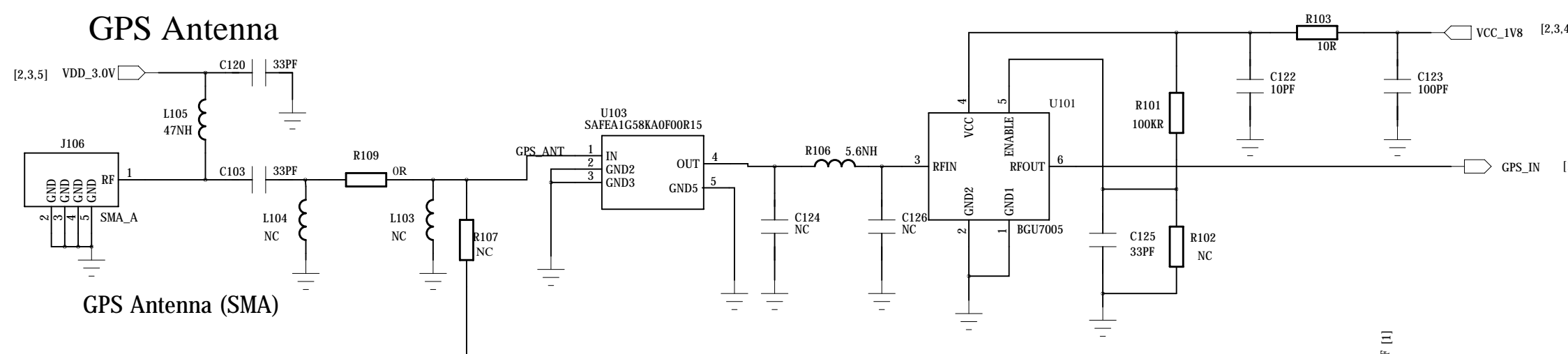
C

B

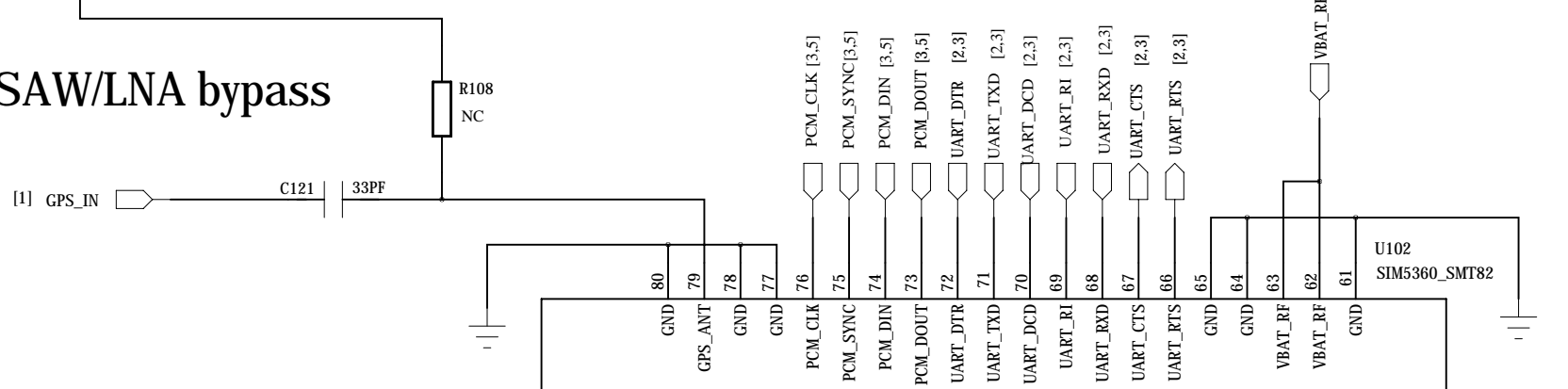
B

A

A

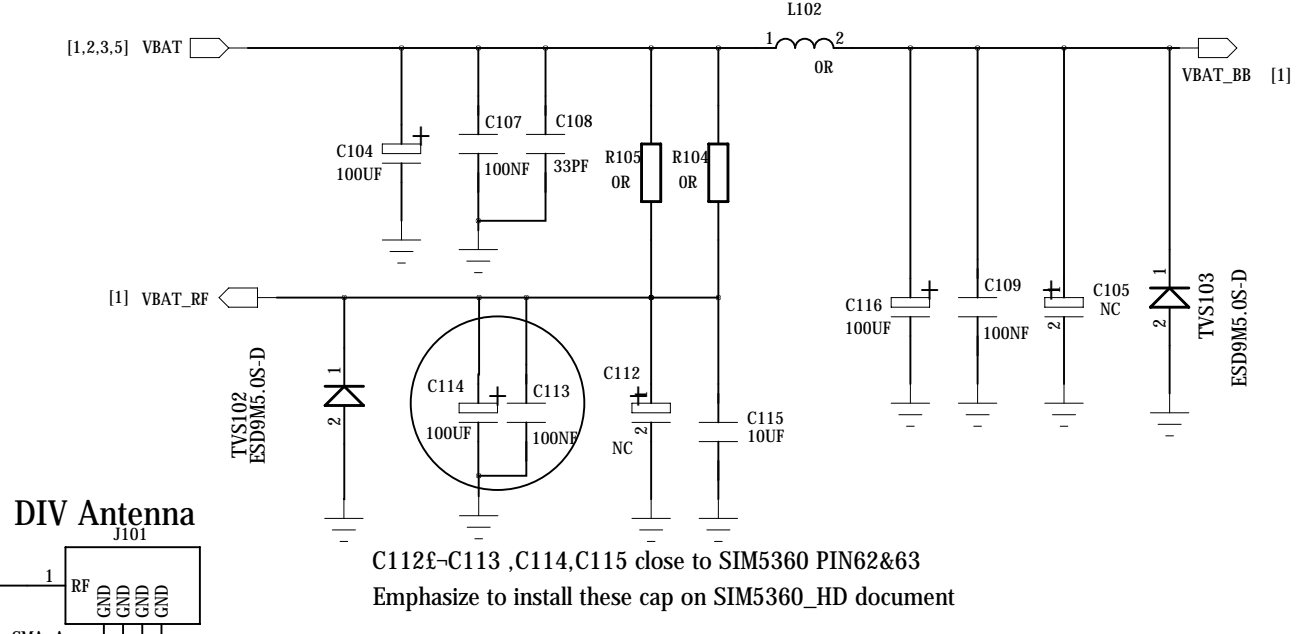
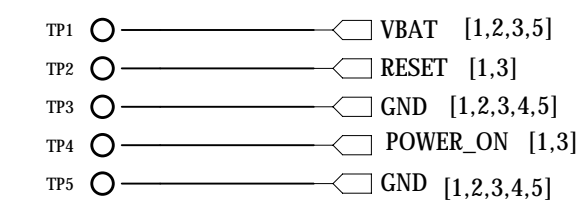
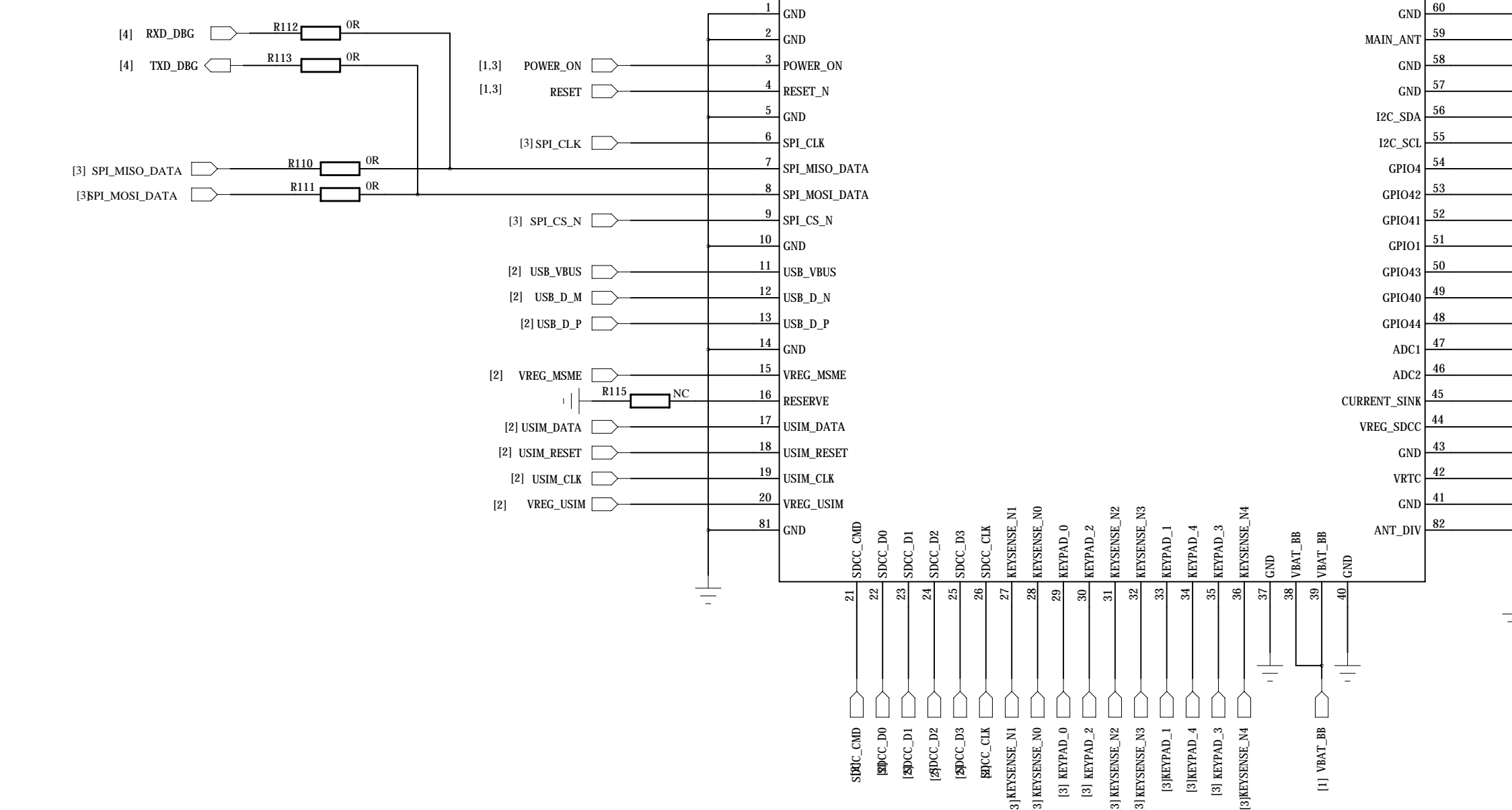


R107/R108 for GPS SAW/LNA bypass



Main Antenna

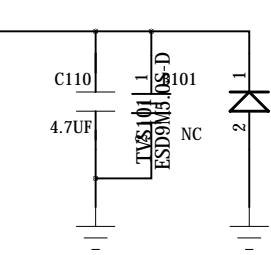
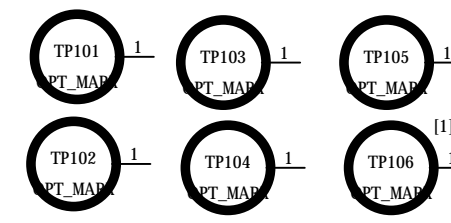
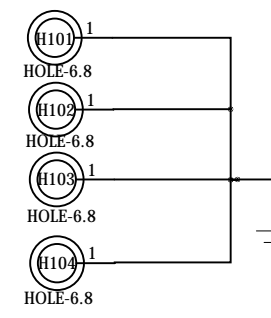
Main Antenna (SMA)



C112-C113, C114, C115 close to SIM5360 PIN62&63  
Emphasize to install these cap on SIM5360\_HD document

DIV Antenna

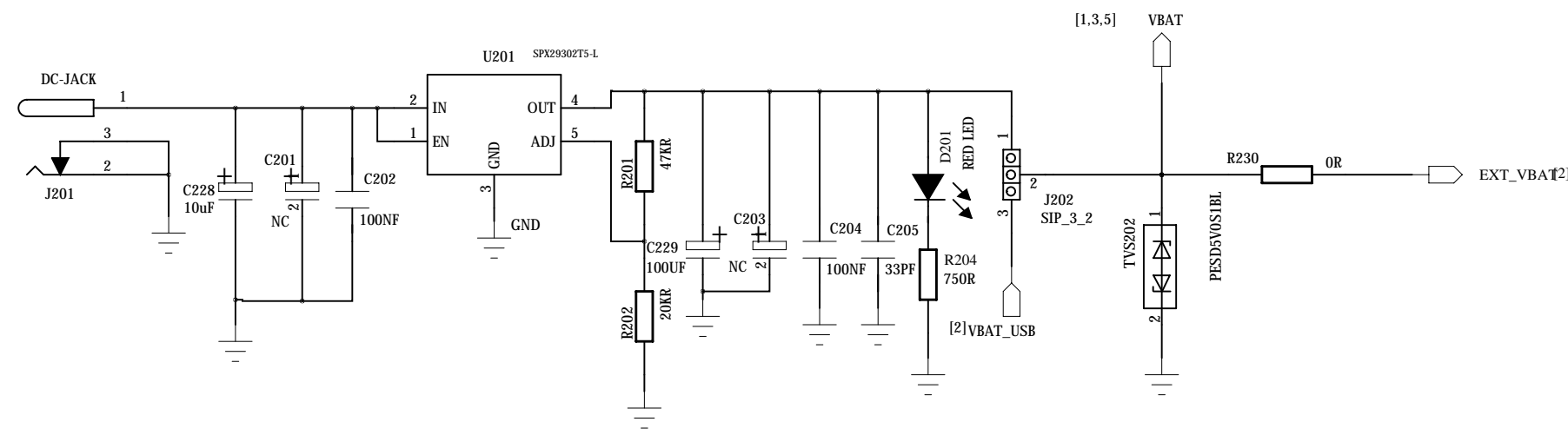
J101



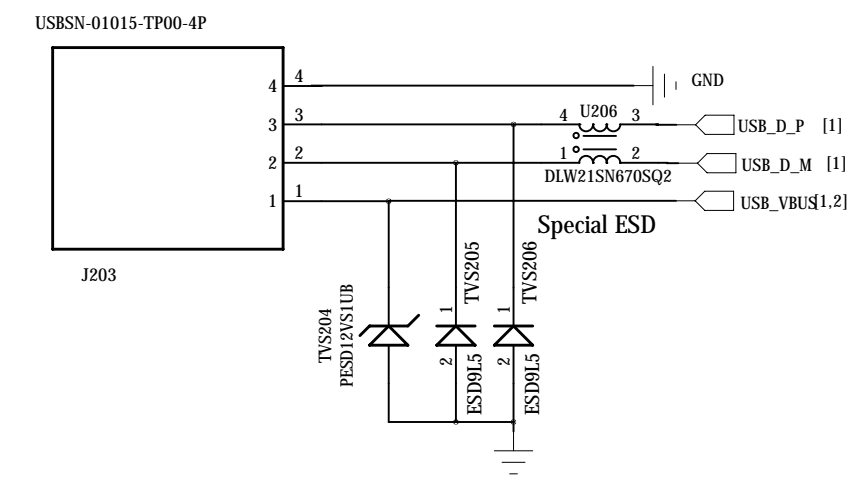
# SIM Technology

DRAWN BY <NAME HERE>	PROJECT SIM5360-EVB	TITLE P1_SIM5360_IF
CHECKED BY <NAME HERE>	SIZE A2	VER V1.01
SHEET 1 of 5		2014-2-11

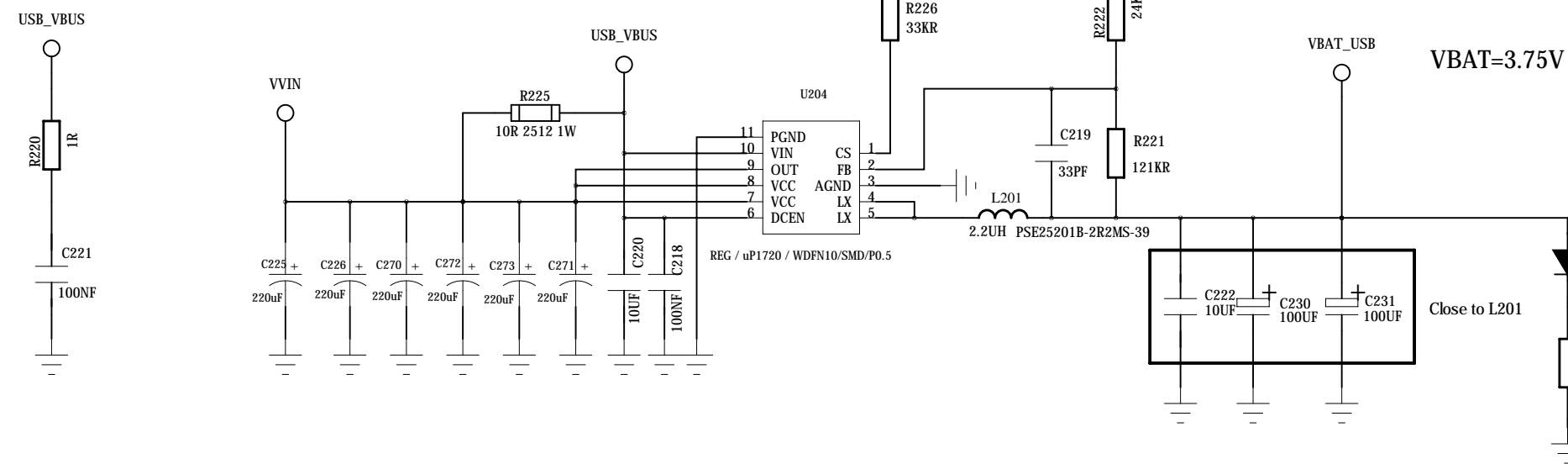
# POWER



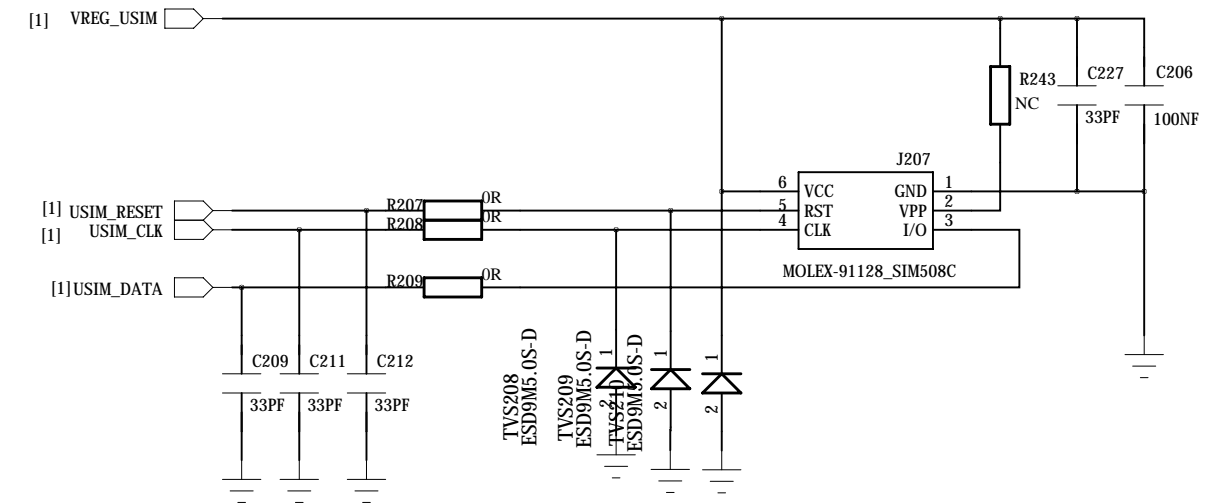
# USB IF



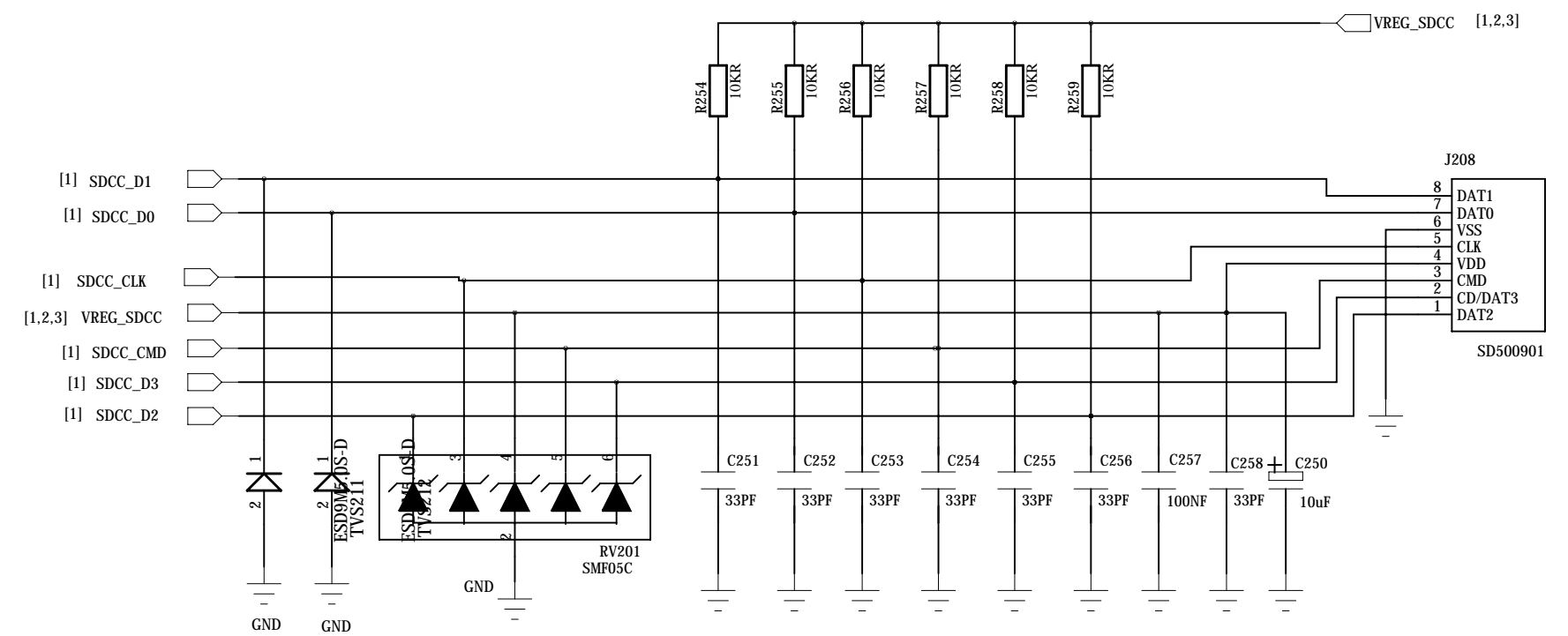
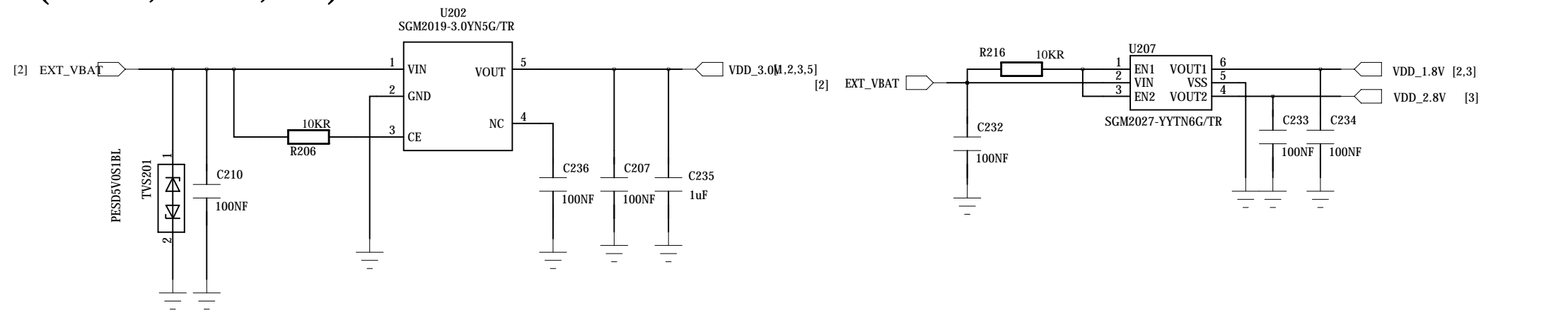
# USB power supply



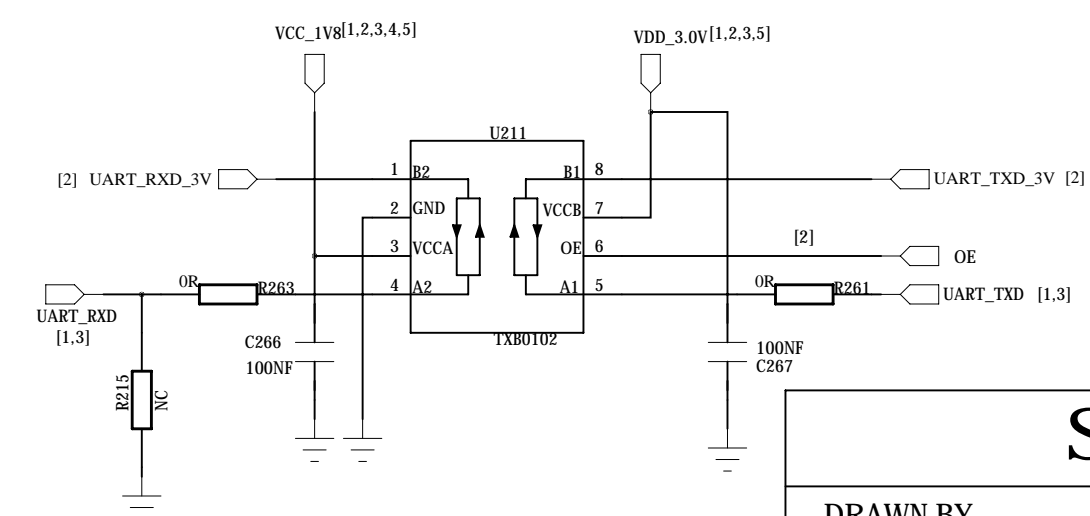
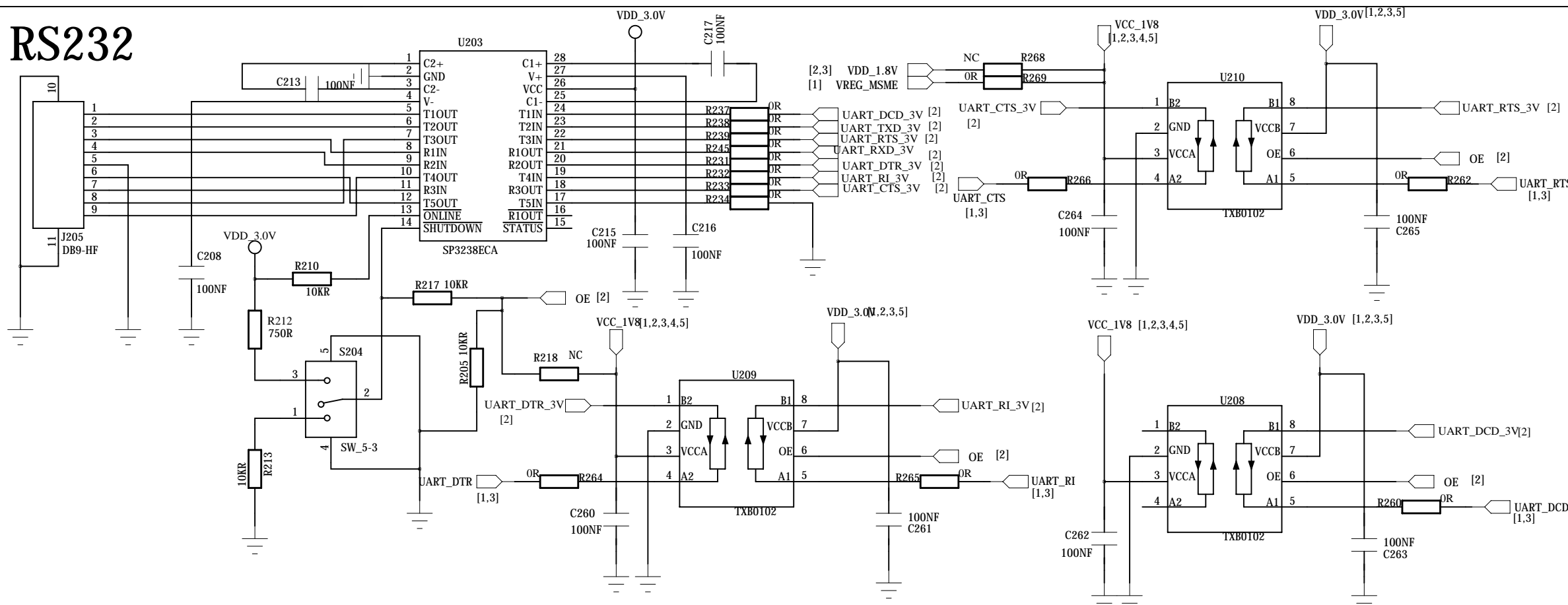
# SIMCARD



# LDO(1.8V,2.8V,3V)

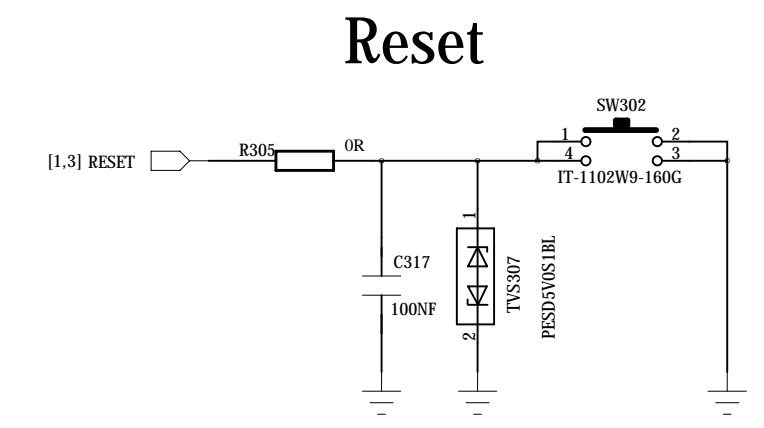
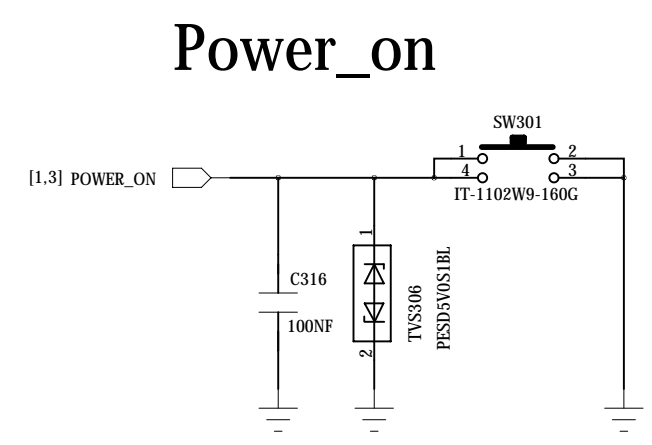
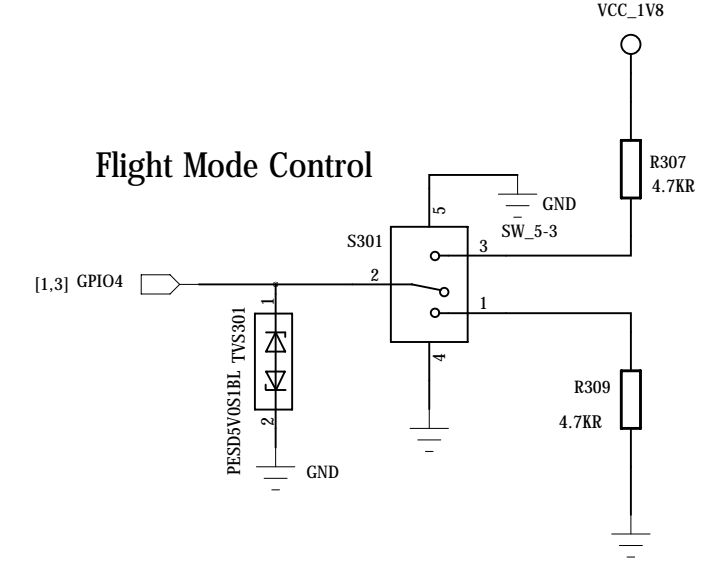
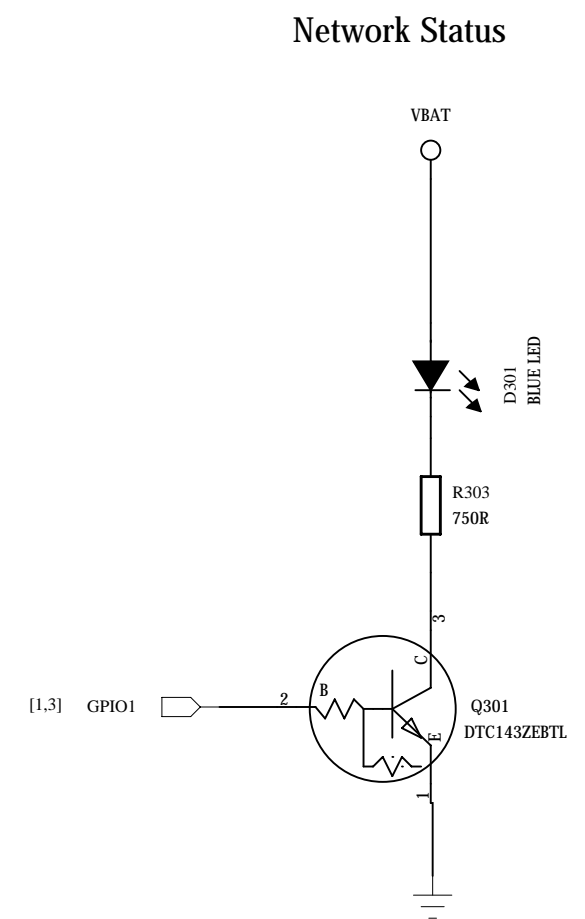
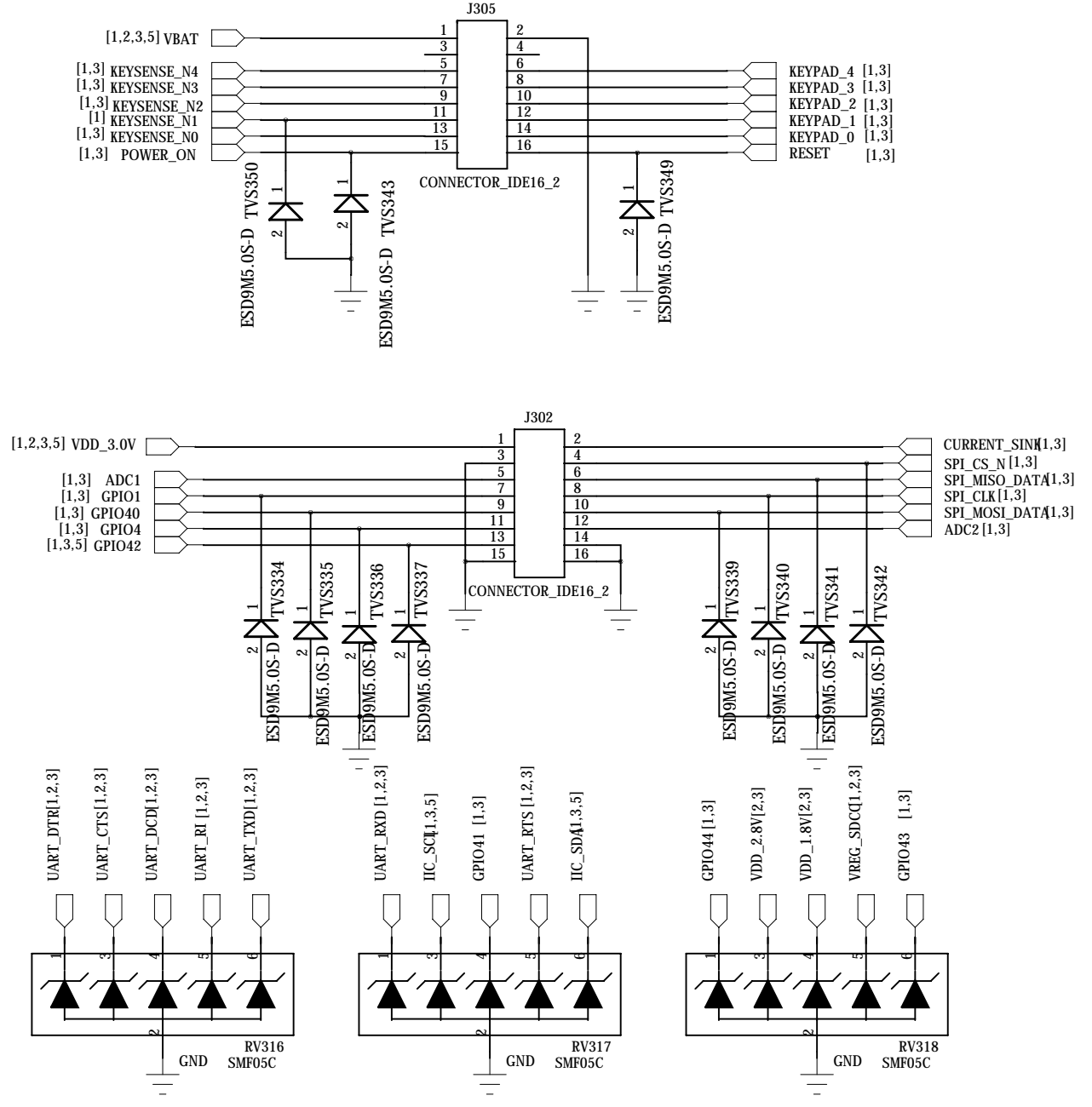
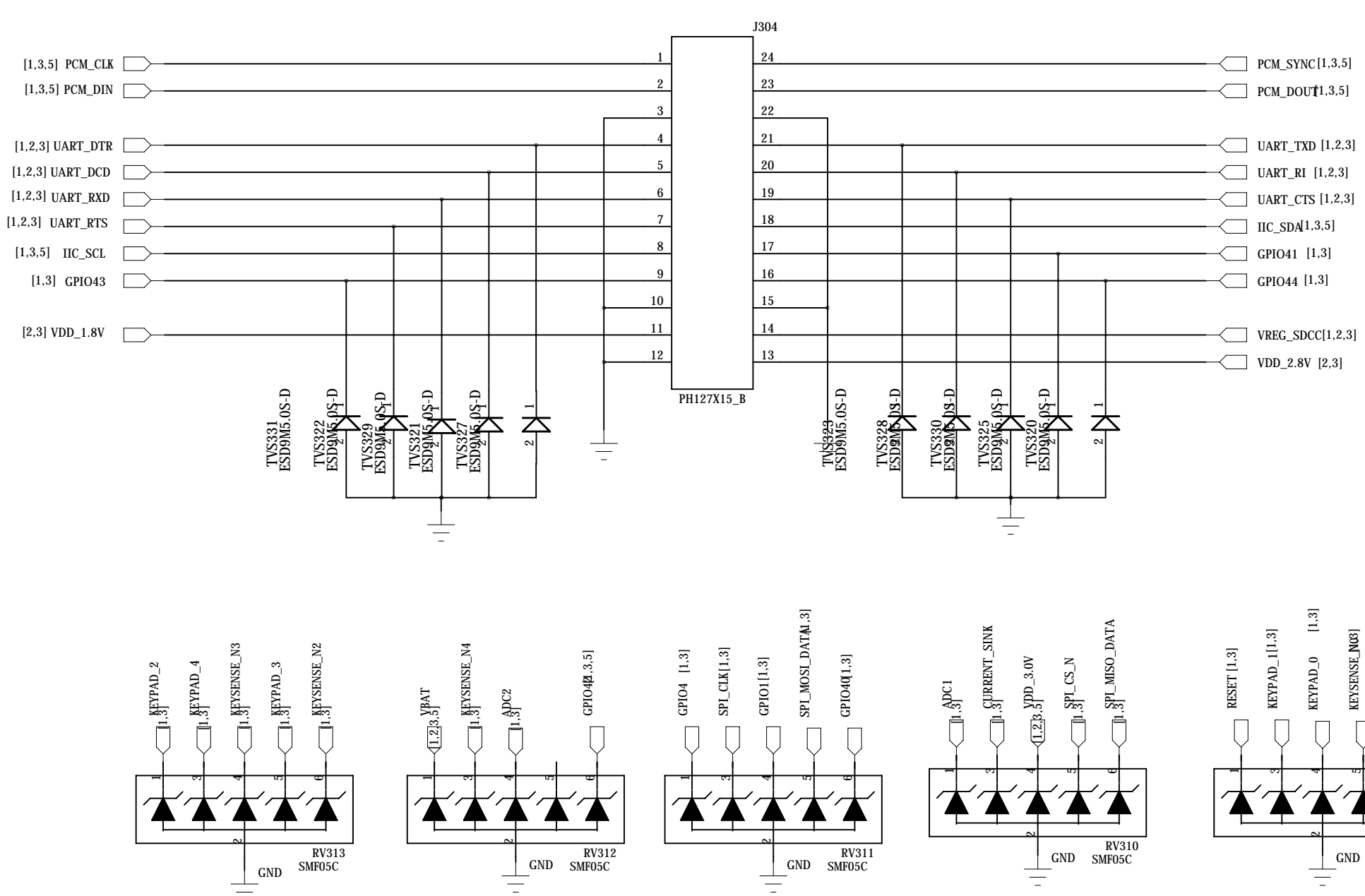


# RS232



# SIM Technology

DRAWN BY <NAME HERE>	PROJECT SIM5360-EVB	TITLE P2_POWER_INTERFACE
CHECKED BY <NAME HERE>	SIZE A2	VER V1.01
SHEET 2 of 5		2014-2-11



### SIM Technology

DRAWN BY <NAME HERE>	PROJECT SIM5360-EVB	TITLE P3_TESTPOINT
CHECKED BY <NAME HERE>	SIZE A2	VER V1.01
SHEET 3 of 5		2014-2-11

6

5

4

3

2

1

D

D

C

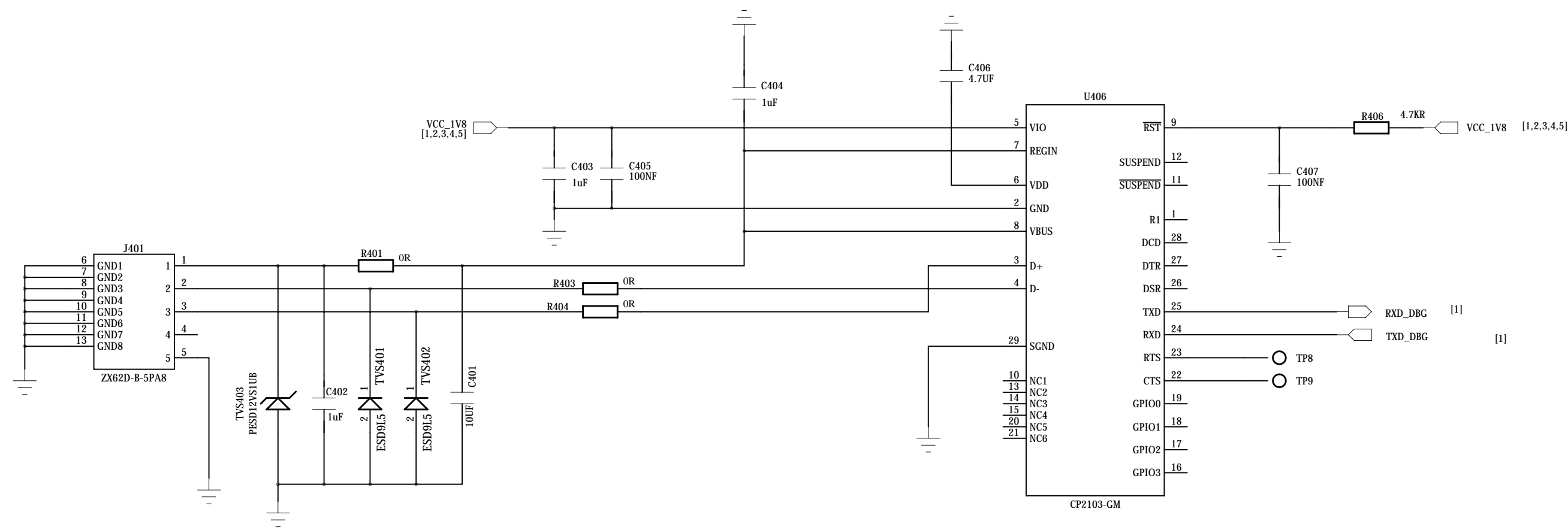
C

B

B

A

A



# SIM Technology

DRAWN BY <NAME HERE>	PROJECT SIM5360-EVB	TITLE P4_UART_DEBUG
CHECKED BY <NAME HERE>	SIZE A2	VER V1.01
SHEET 4 of 5		2014-2-11

6

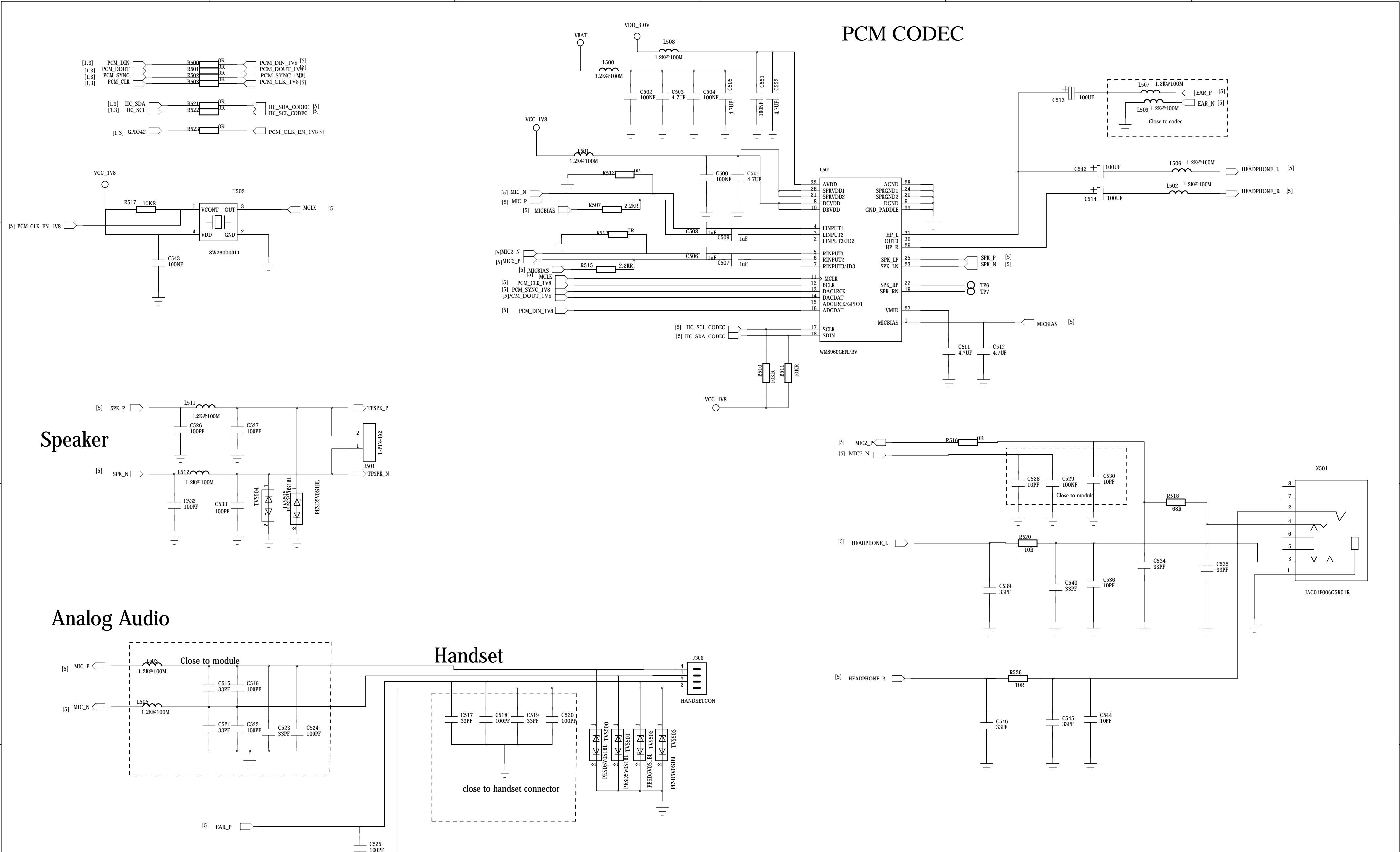
5

4

3

2

1



SIM Technology		
DRAWN BY <NAME HERE>	PROJECT SIM5360-EVB	TITLE P5_AUDIO
CHECKED BY <NAME HERE>	SIZE A2	VER V1.01
SHEET 5 of 5		2014-2-11