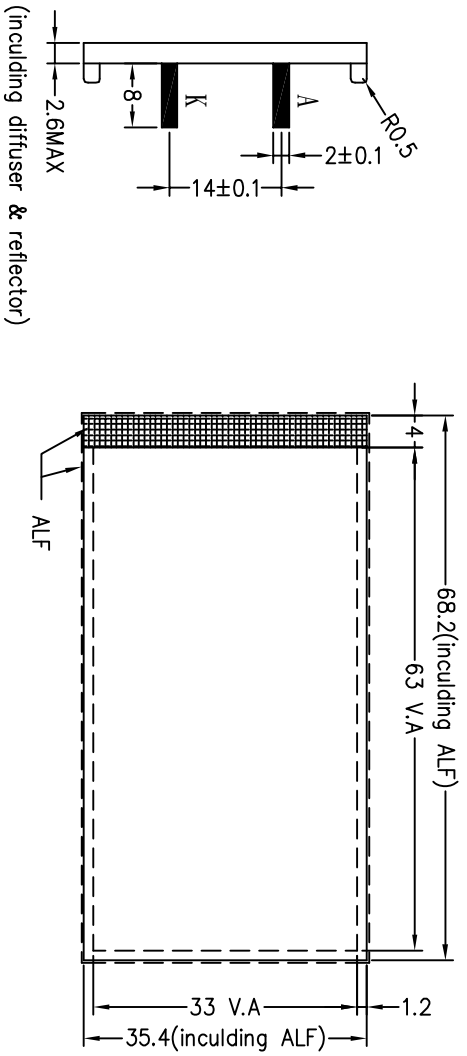
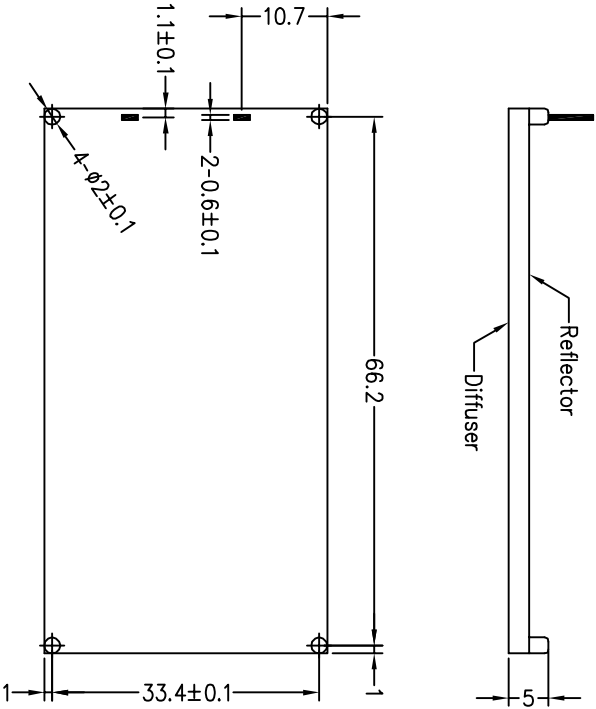
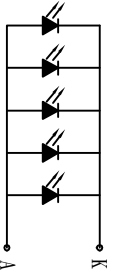


REV	REVISION RECORD	APPROVED
1	First Issue	



**NOTES:**

1. Forward current: 50mA (VF=3.3V)
2. LED emission color: White
3. Color coordinates: X=0.28±0.03  
Y=0.29±0.03
4. Brightness: 200cd/m<sup>2</sup>
6. Operation temperature: -30°C~+70°C
7. Storage temperature: -40°C~+80°C
8. Lead free process
9. LED circuit: 1K5=5 dies



General Tolerance				VERSION		DATE		PART NAME:	
1	2	3	4	A	A	2010.11.15	TITLE:		
5-10	0.05	0.1	0.15	NO	1/1		UNIT:		
10-30	0.05	0.1	0.15	SCALE	1:1		mm		
30-100	0.1	0.2	0.3	APPROVED	CHECKED	DRAWN	FILE NAME:		
100-500	0.2	0.5	0.8						