

QUARTZ CRYSTAL UNIT

SERIES 7G, GLASS SEALED CERAMIC 6 X 3.5MM SMD



FEATURE

- Leadless type.
- High reliable environmental performance
- Designed for automatic mounting and reflow soldering.
- Tight tolerance and stability parts are available
- Emboss taping specification.
- Available on tape & reel, 1000pcs per reel

ELECTRICAL SPECIFICATIONS

Output Frequency Range	10.000MHz to 80.000MHz
Mode	See Table 1
Frequency Tolerance (at 25°C)	±30ppm, ±50ppm, or specify
Frequency Stability Over Operating Temperature Characteristics	±30ppm, ±50ppm or specify
Storage Temperature Range	-55 °C to +125 °C
Operating Temperature Range	-10 °C to + 60 °C, -20 °C to + 70 °C, -40 °C to + 85 °C,
Shunt Capacitance (C ₀)	5.0 pF Max
Driver Level (Typical)	10μW ~ 100μW
Load Capacitance(C _L)	Series, 16pF, 20pF, 30pF, 32pF, or specify
Equivalent Series Resistance ESR (Ω)	See Table 1
Aging @25°C 1 st year (Max)	±3ppm/year
Shock Resistance	Drop test of 3 times on 2mm stainless plate from 75cm height

REMARK: SPECIFICATIONS SUBJECT TO CHANGE WITHOUT PRIOR NOTICE. PLEASE CONFIRM WITH OUR SALES ENGINEER.

Frequencies and Equivalent Series Resistant

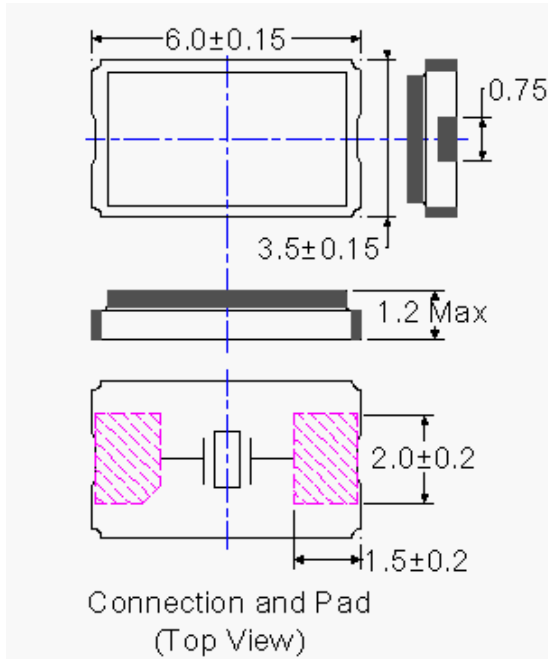
Frequency Range	E.S.R. (Ω)	Mode
8.000 MHz ~ 10.000 MHz	70 Max	Fundamental / AT
10.000 MHz ~ 30.000 MHz	40 Max	Fundamental / AT
30.000 MHz ~ 45.000 MHz	60 Max	Third Overtone / AT
45.000 MHz ~ 80.000 MHz	50 Max	Third Overtone / AT

QUARTZ CRYSTAL UNIT

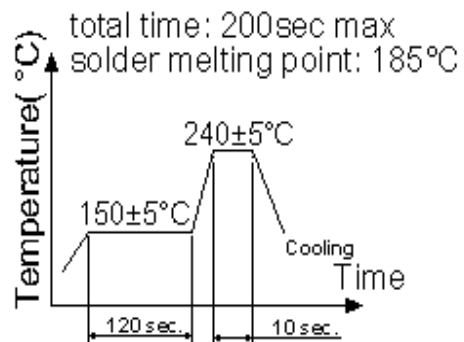
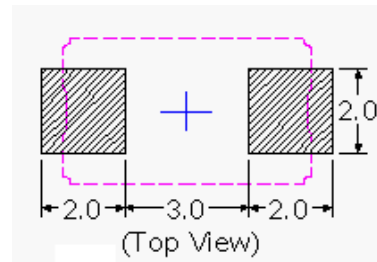
SERIES 7G, GLASS SEALED CERAMIC 6 X 3.5MM SMD



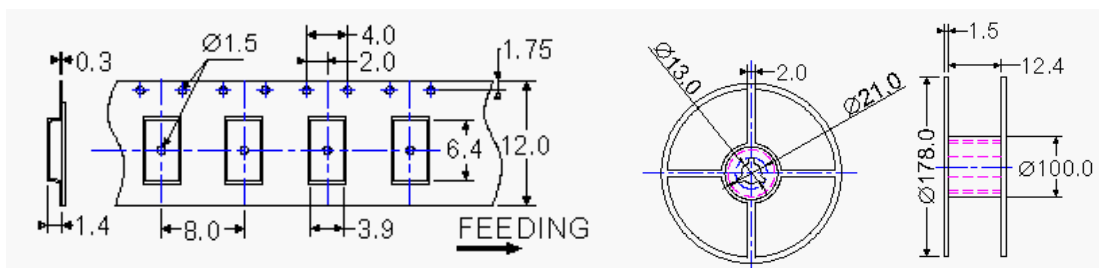
Dimension



Reference Land Pattern



PACKING



PART NUMBER

SJK-7G-	16	20	20	40	F	A	20
	Frequency e.g. 16:±16MHz	Load capacitance e.g. 20:20pf s:series	Frequency tolerance e.g. 20:±20ppm	E.S.R.max e.g. 40:40Ωmax	Oscillate mode F:Fundamental 3:3rd overtone 5:5th overtone	Operating temperature range A:-10-60°C B:-20-70°C C:-40-85°C	Temperature stability: e.g. 20:±20ppm