

FEATURE

- Ultra thin, thickness 1.0mm
- Leadless type
- High precision characteristic covering up to high frequency range
- Automatic mounting
- Embossed taping specification
- Reflow soldering

APPLICATIONS

- Ideally suited designed for disc drives, NB, PCs and hand-held electronic products

ELECTRICAL SPECIFICATIONS

Output Frequency Range	6.000MHz to 110.000MHz
Mode	see Table 1*
Frequency Tolerance (at 25°C)	±10ppm, ±20ppm, ±30ppm, or specify
Frequency Stability Over Operating Temperature Characteristics	-10°C ~+60°C ±30ppm, -20°C ~+70°C ±20ppm or specify
Storage Temperature Range	-40°C to 85°C
Operable Temperature Range	-10°C to +60°C ~ -40°C to +85 °C
Shunt Capacitance (C ₀)	7.0pF Maximum (3.0pF Typical)
Driver Level (Typical)	10μW~100μW
Load Capacitance(C _L)	Series, 16pF, 20pF, 30pF, 32pF, or specify
Equivalent Series Resistance ESR (Ω)	see Table 1*
Aging @25°C 1 st year (Max)	±1ppm, ±3ppm/year
Shock Resistance	Drop test of 3 times on 2mm stainless plate from 75cm height

REMARK: SPECIFICATIONS SUBJECT TO CHANGE WITHOUT PRIOR NOTICE. PLEASE CONFIRM WITH OUR SALES ENGINEER.

Frequency and Equivalent Series Resistant

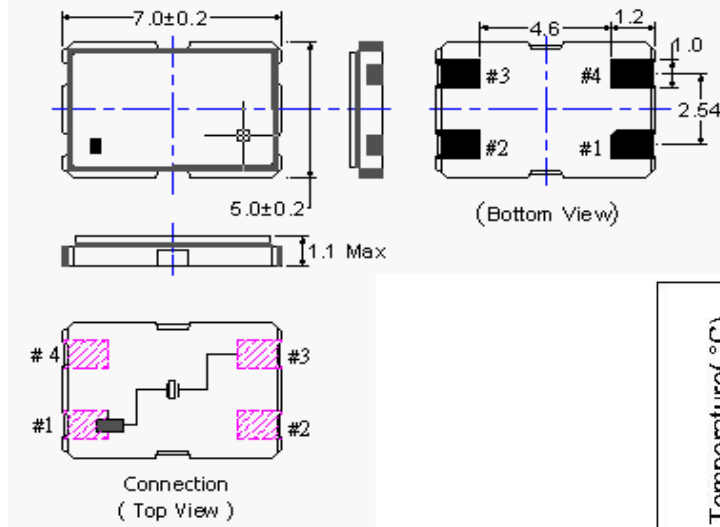
Frequency Range	E.S.R. (Ω)	Mode
6.000MHz ~ 7.999MHz	100 Max	Fundamental / AT
8.000MHz ~ 15.999MHz	60 Max	Fundamental / AT
16.000MHz ~ 32.000MHz	40 Max	Fundamental / AT
30.000MHz ~ 44.999MHz	80 Max	Third Overtone / AT
45.000MHz ~ 89.999MHz	70 Max	Third Overtone / AT
90.000MHz ~ 110.000MHz	75 Max	Third Overtone / AT

Quartz Crystal

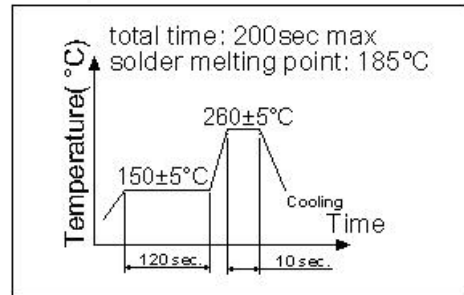
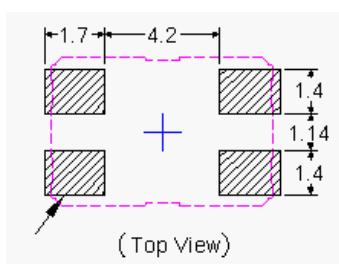


SERIES 6F, SEAM SEALED CERAMIC 7.0 X 5MM SMD

Dimension



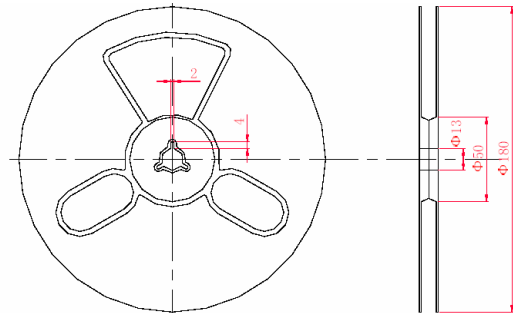
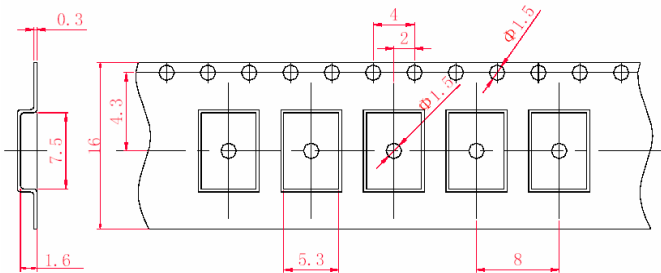
Reference Land Pattern



R

Reflow Condition

PACKING



PART NUMBER

SJK-6F-	16	20	20	35	F	A	20
	Frequency e.g. 16:±16MHz	Load capacitance e.g. 20:20pf s:series	Frequency tolerance e.g. 20:±20ppm	E.S.R.max e.g. 35:35Ωmax	oscillate mode F:Fundamental 3:3rd overtone 5:5th overtone	operating temperature range A:-10-60°C B:-20-70°C C:-40-85°C	temperature stability: e.g. 20:±20ppm