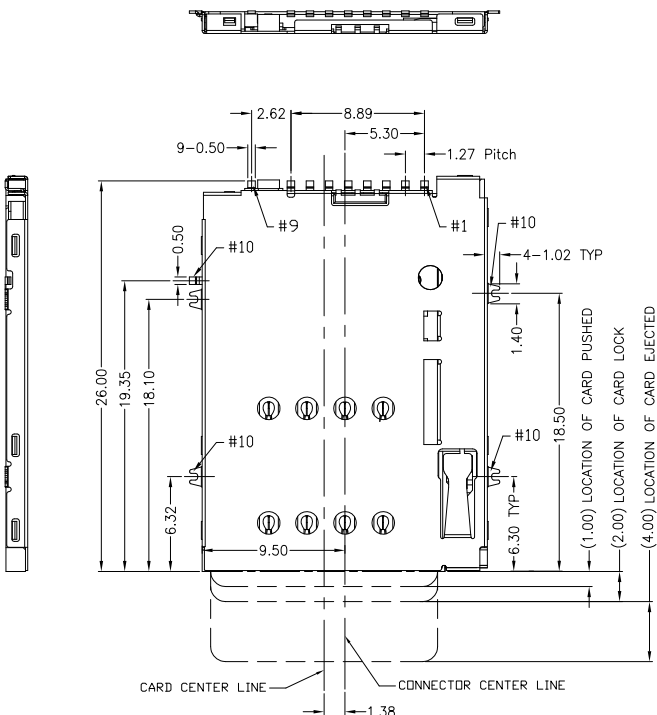
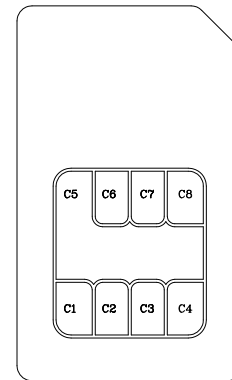


REV.	DESCRIPTION	DATE
1	PORPOSAL	Apr. 23, 2013
2	DRAW MODIFY	May. 06, 2013



Pin No.	NAME
#1	VCC
#2	GND
#3	RST
#4	VPP
#5	CLK
#6	I/O
#7	DAT0
#8	MCMD
#9	Card Detect Switch
#10	GND



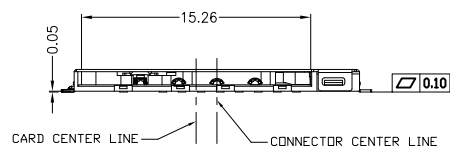
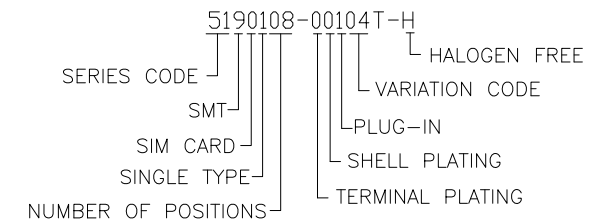
### MATERIALS

- HOUSING : THERMOPLASTIC, (UL94V-0), BLACK
- SLIDER : THERMOPLASTIC, (UL94V-0), BLACK
- TERMINAL : COPPER ALLOY, GOLD PLATED OVER NICKEL
- SHELL : STAINLESS STEEL, GOLD PLATED ON SOLDER TAIL
- LINK : STAINLESS STEEL
- SPRING : SWP

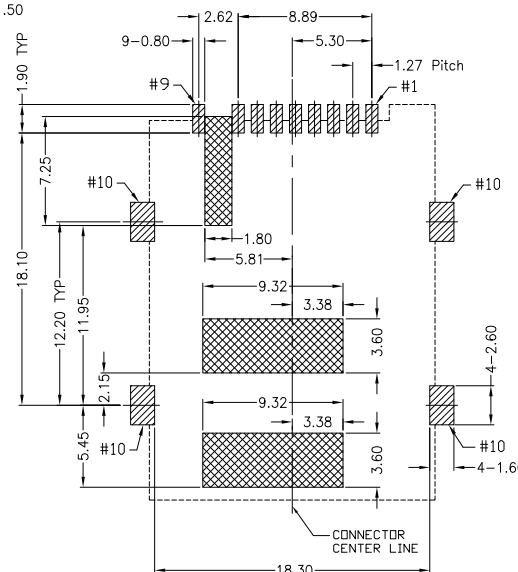
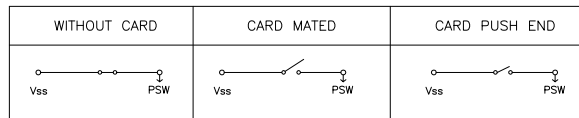
### SPECIFICATION

- CURRENT RATING : 0.5 AMP. MAX.
- VOLTAGE RATING : 50V DC
- DIELECTRIC WITHSTANDING VOLTAGE : 500V AC R.M.S. FOR ONE MINUTE.
- INSULATION RESISTANCE : 1000M OHMS MIN.
- CONTACT RESISTANCE : 100m OHMS MAX.
- DURABILITY : 10,000 CYCLES.
- INSERTION FORCE : 5N MAX.
- EXTRACTION FORCE : 1N MIN.

### PART NUMBER INFORMATION

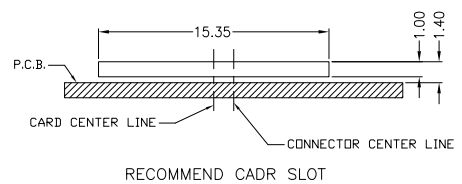


Circuit Diagram for Detect Switch



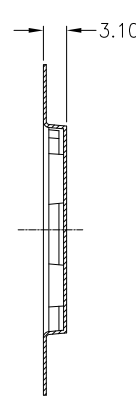
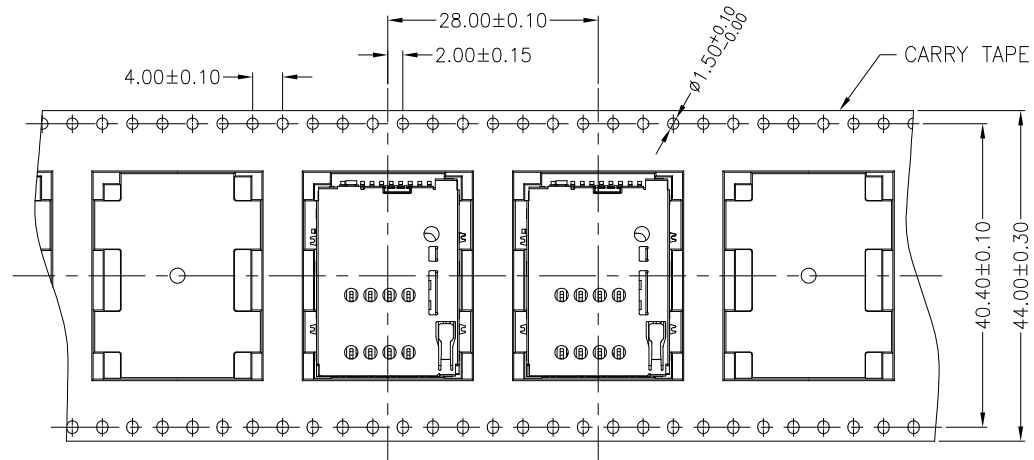
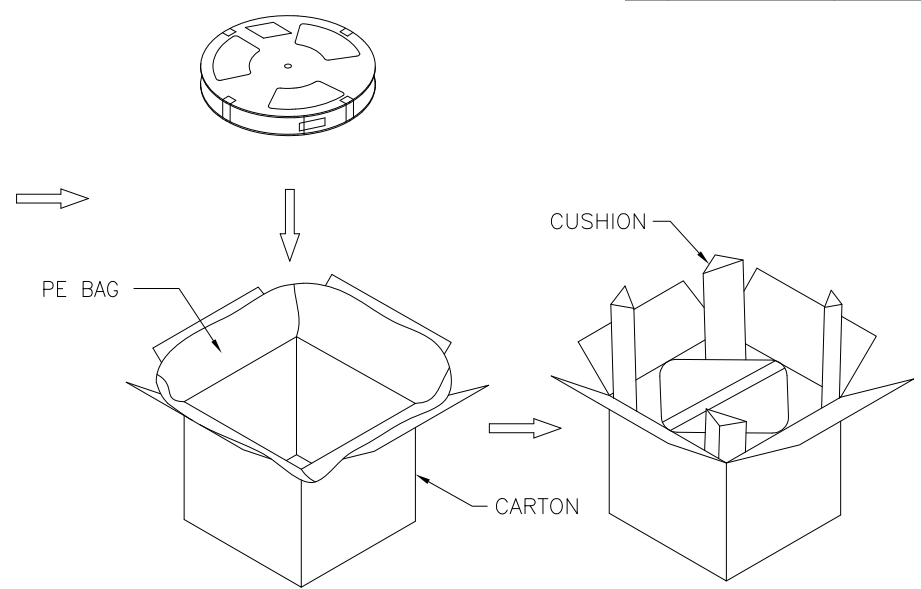
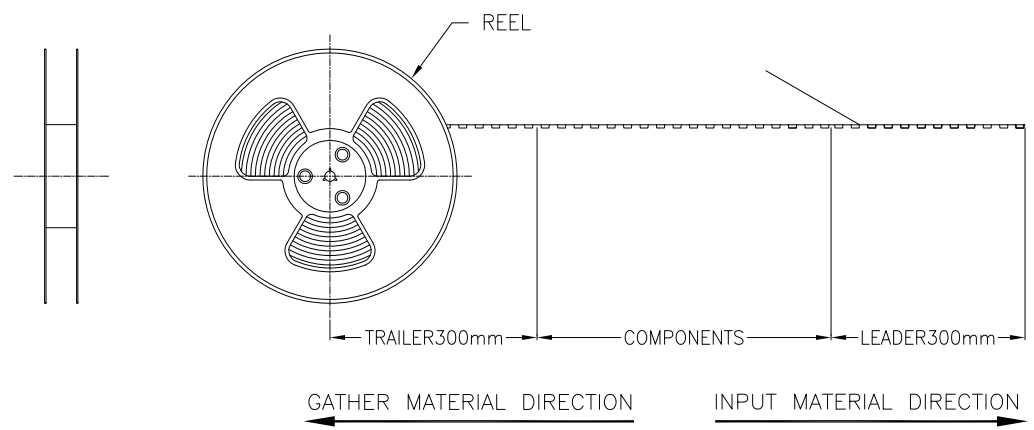
: SOLDER AREA  
 : PATTERN PROHIBITED AREA

### RECOMMEND P.C.B. LAYOUT TOP VIEW



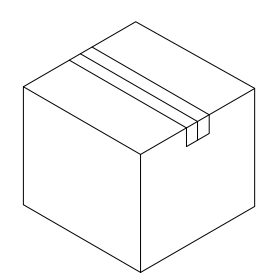
TOLERANCE .0=±0.25 .00=±0.20 .000=±0.15 .0000=±. ANG.=±3°		DRAWER <i>LUCY</i>		 <b>WWW.ASTRON.COM.TW</b>
CHECK <i>JANPE</i>		APP'D <i>ERP</i>		
UNITS : mm		PRODUCT SPEC. ---		NAME 1.50H SIM CARD WITH SWITCH, SMT PUSH PUSH TYPE
SCALE NONE		SIZE A4		DRAW NO. 5190108-00104T-H
SHEET 1 OF 2		REV. 2		08031

REV.	DESCRIPTION	DATE
1	PORPOSAL	Apr. 23, 2013
2	DRAW MODIFY	May. 06, 2013



PACKAGE :

- SIZE :  
CARTON : 340x340x235mm (LxWxH)
- QUANTITY :  
500 PCS/REEL  
4 REEL/CARTON = 2000PCS



<b>TOLERANCE</b> .0=± .00=± .000=± .0000=±. ANG.=±		<b>DRAWER</b> <i>LUCY</i>		 <b>WWW.ASTRON.COM.TW</b>
 UNITS : mm		<b>CHECK</b> <i>JANICE</i>		
SCALE NONE		<b>APP'D</b> <i>ERP</i>		<b>NAME</b> 1.50H SIM CARD WITH SWITCH, SMT PUSH PUSH TYPE
SIZE A4		<b>PRODUCT SPEC.</b> —		<b>DRAW NO.</b> 5190108-00104T-H
SHEET 2 OF 2		REV. 2		08031