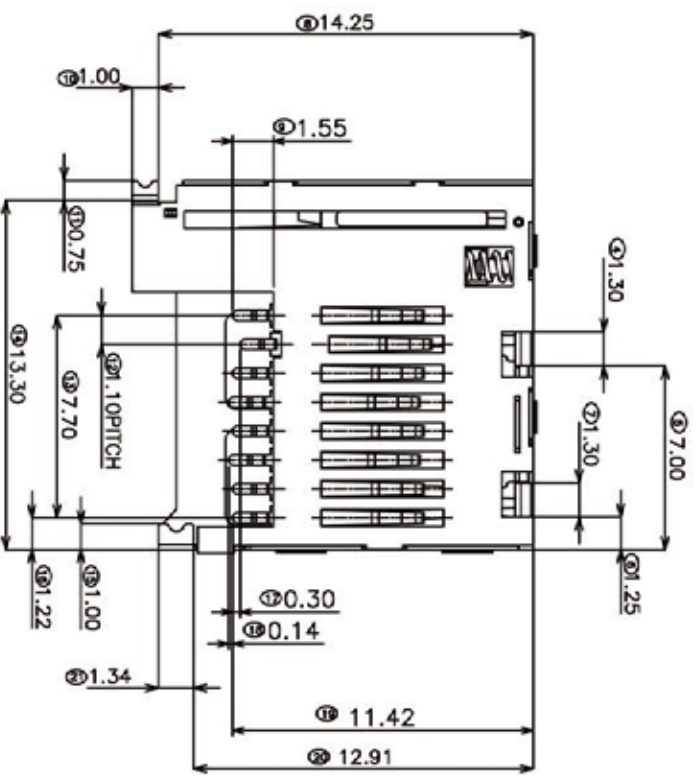
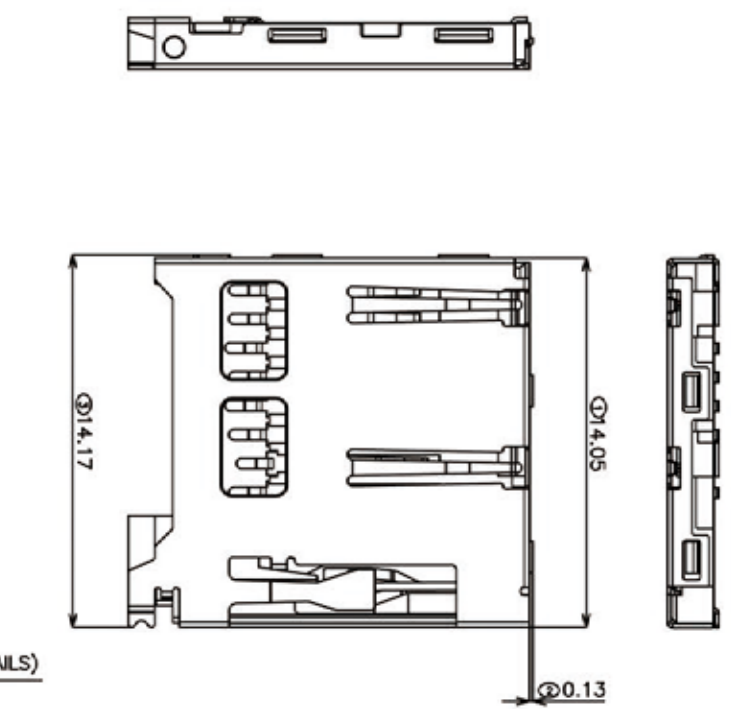


REV	DATE	MODIFICATION	APPROVER
⑦	09.03.08	NEW	Vicky
⑥			
⑤			



all solder tails

7	Top Shell	SUS	Au Plated
6	Crank-Axle	SUS	
5	Coil Spring	SWPB	Ni Plated
4	Slide	THERMAL PLASTIC	Block
3	TF Contact	COPPER ALLOY	Au Plated
2	Detect	COPPER ALLOY	Au Plated
1	Housing	THERMAL PLASTIC	Block

ATOM TECHNOLOGY CO., LTD.

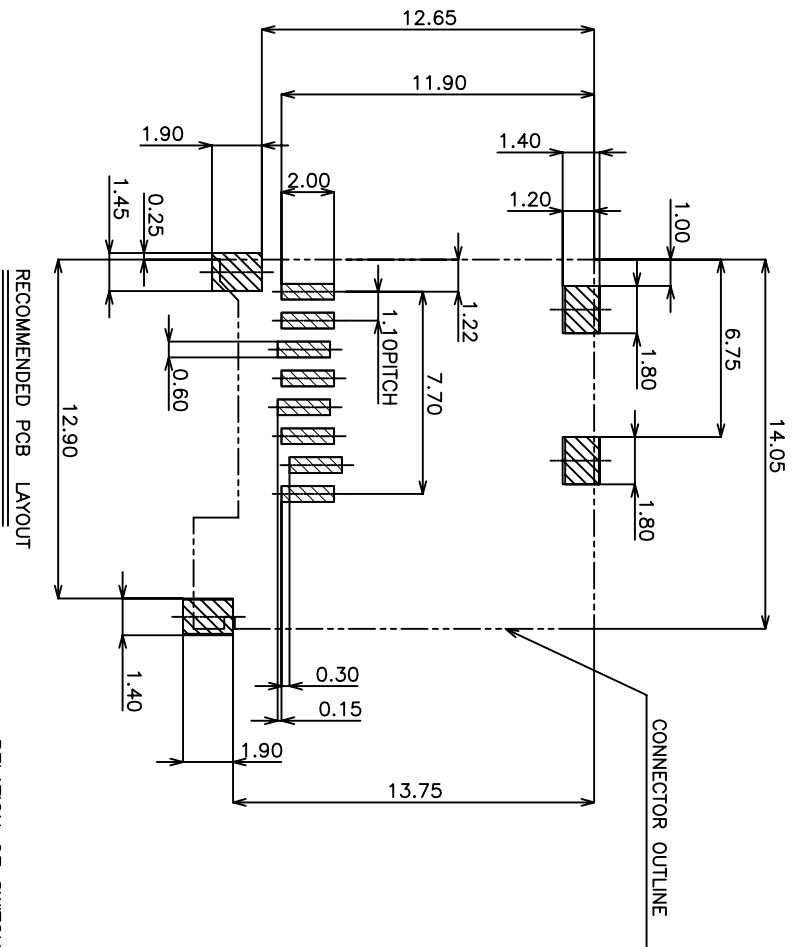
TITLE: T-FLASH CARD PUSH-PUSH 外壳零件(新模)

DWG NO. T-FLASH

GENERAL TOLERANCE			UNITS	mm	NAME
SELECT	1	2	3	MAT'L	PART NO:
TOL	1	2	3	NONE	ATOM010050040025
GM	0.150	0.050	0.15	FINISH	AT'PID:
XXXX	0.150	0.050	0.15	NONE	Vicky
XXX	0.200	0.130	0.25	QTY	CHKD:
XX	0.250	0.25	0.5	NONE	Amy
X	0.4			DR:	Jasmine
XX	0.5				
XXX	0.7				

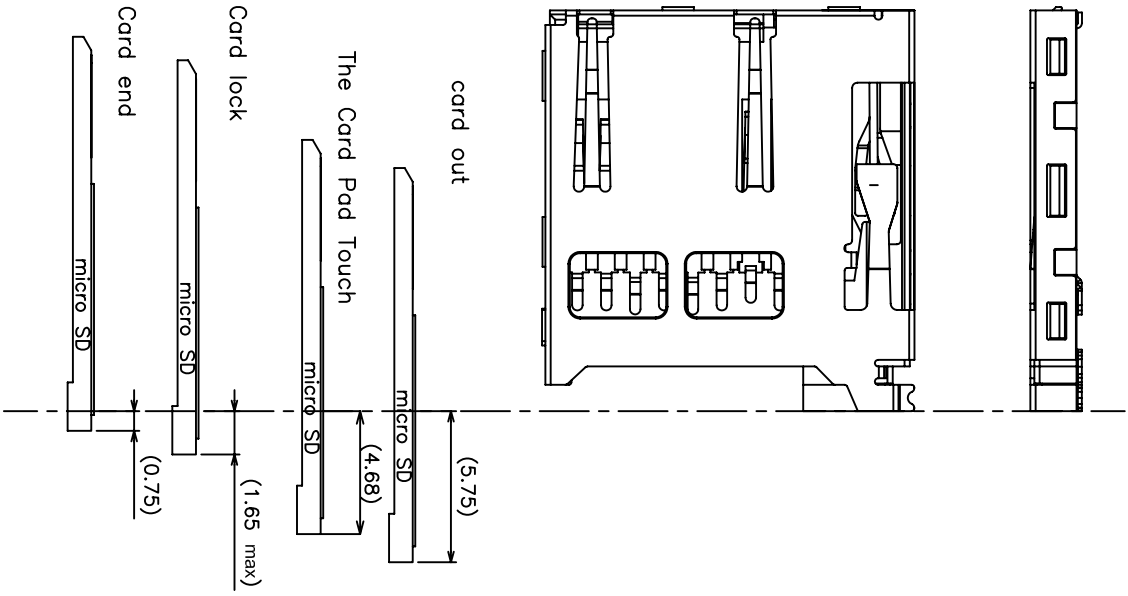
SCALE	SHEET	REV
1:1	1 OF 3	A

REV	DATE	MODIFICATION	APPROVER
⑦	09.03.08	NEW	Vicky
⑥			
⑤			
④			



RELATION OF SWITCHES TO TRANS  
-FLASH CARD ATTACHMENT CONDITION

CARD ATTACHMENT CONDITION	CARD DETECT SWITCH
CARD NOT ATTACHED	CLOSED
CARD ATTACHED	OPEN



GENERAL TOLERANCE		UNITS	mm	NAME	ATOM TECHNOLOGY CO., LTD.
SELECT	✓	MAT'L	NONE	PART NO:	ATOM010050040025
TOL	1 2 3	FINISH	NONE	APPD:	Vicky
Xxxx	±0.150,050,15	QTY	NONE	CHKD:	Amy
Xxxx	±0.200,130,25	DR:	Jasmine	TITLE: T-FLASH CARD PUSH-PUSH 外壳弹片(新模)	
Xx	±0.250,25,0.5	DWG NO. T-FLASH			
X	±.4	SCALE	1:1	SHEET	2 OF 3
Xx	±.3	SHEET	3	REV	A
Xxx	±.2				

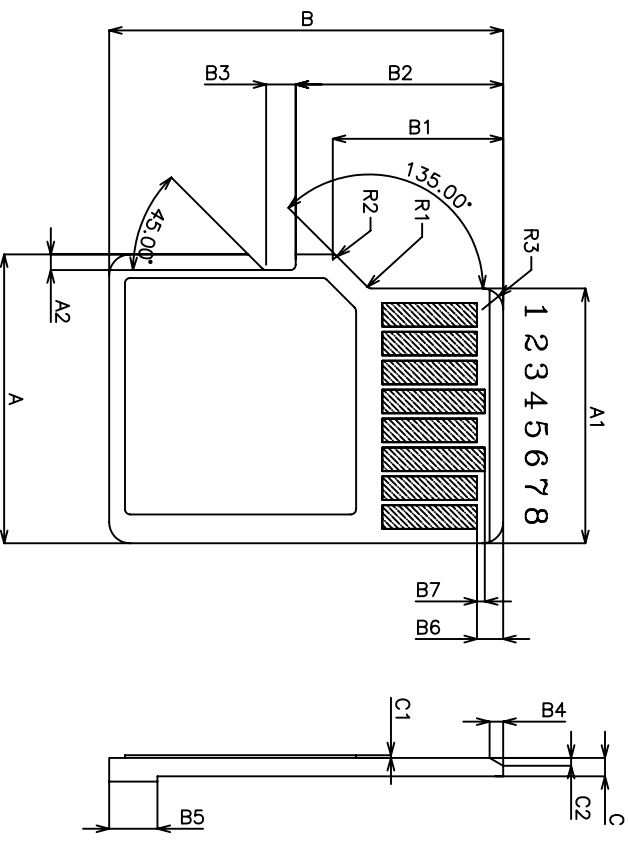
REV	DATE	MODIFICATION	APPROVER
⑦	09.03.08	NEW	Vicky
⑥			
⑤			

FLASH COMMON DIMENSIONS			
SYMBOL	MIN	NOM	MAX
A	10.90	11.00	11.10
A1	9.60	9.70	9.80
A2	0.50	0.60	0.70
B	14.90	15.00	15.10
B1	6.30	6.40	6.50
B2	7.80	7.90	8.00
B3	1.10	1.20	1.30
B4	0.42	0.52	0.62
B5	1.74	1.84	1.94
B6	1.00	1.10	
B7	0.20		MIN
C	0.65	0.70	0.75
C1	0.00	0.10	0.20
C2	0.20	0.30	0.40
R1	0.10	0.20	0.30
R2	0.10	0.20	0.30
R3	0.70	0.80	0.90

According to SDA Announce Final Approval Of microSD Specification

MICRO SD COMMON DIMENSIONS			
SYMBOL	MIN	NOM	MAX
A	10.90	11.00	11.10
A1	9.60	9.70	9.80
A2	0.50	0.60	0.70
B	14.90	15.00	15.10
B1	6.30	6.40	6.50
B2	7.80	7.90	8.00
B3	1.10	1.20	1.30
B4	0.42	0.52	0.62
B5	1.74	1.84	1.94
NOM	A	B	B2
MAX	A1	B1	B3
C	0.60	0.70	0.80
C1	0.00		0.15
C2	0.20	0.30	0.40
R1	0.20	0.40	0.60
R2	0.20	0.40	0.60
R3	0.70	0.80	0.90

MicroSD Specification



Name	Type	DESCRIPTION
1	DAT2	I/O/PP
2	CD/DAT3	I/O/PP
3	CMD	PP
4	VDD	S
5	CLK	I
6	VSS	S
7	DAT0	I/O/PP
8	DAT1 <sup>2</sup>	I/O/PP

GENERAL TOLERANCE		UNITS	mm	NAME	ATOM TECHNOLOGY CO., LTD.	
SELECT	TOL	1	2	PART NO:	ATOM010050040025	
ON	1	2	3	APPD:	Vicky	
				FINISH	NONE	
				CHKD:	Amy	
				DR:	Jasmine	
				QTY	NONE	
				MAT'L	NONE	
				SCALE	1:1	
				SHEET	3 OF 3	
				REV	A	

TITLE: T-FLASH CARD PUSH-PUSH 外壳弹片 (新模)  
 DWG NO. T-FLASH

