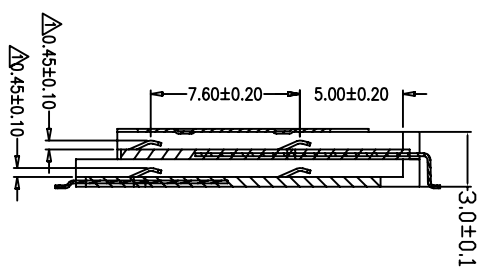
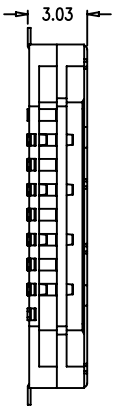
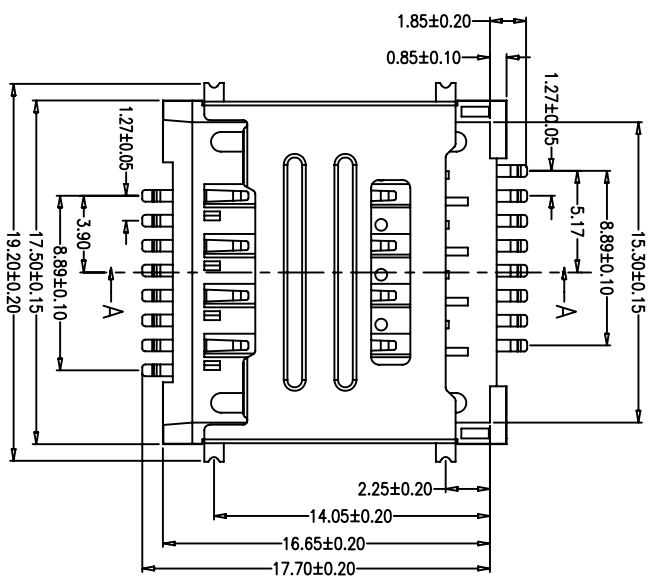
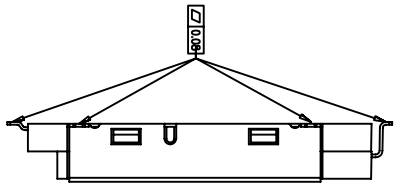
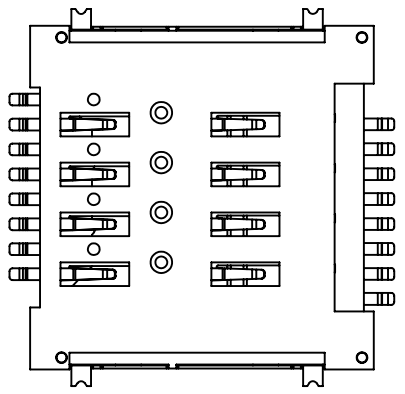
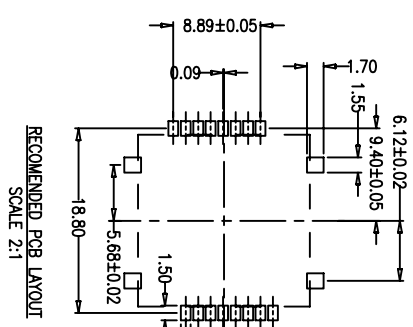


REV. DATE	MODIFICATION	APPROVER
08.3.20	NEW	Vicky
①		



NOTES:

1. MATERIAL  
HOUSING: THERMOPLASTIC, GLASS-FILLED, UL94V-0, BLACK COLOR.  
TERMINAL: COPPER ALLOY, 0.15MM THICKNESS.  
FITTING NAIL: STAINLESS STEEL, 0.15MM THICKNESS.
2. PLATING  
TERMINAL: CONTACT AREA: 15U" GOLD PLATING OVER 50U NICKEL.  
OTHER AREA: GOLD FLASH OVER 50U" NICKEL.  
FITTING NAIL: GOLD FLASH OVER 50U" NICKEL FOR OLDER PAD.



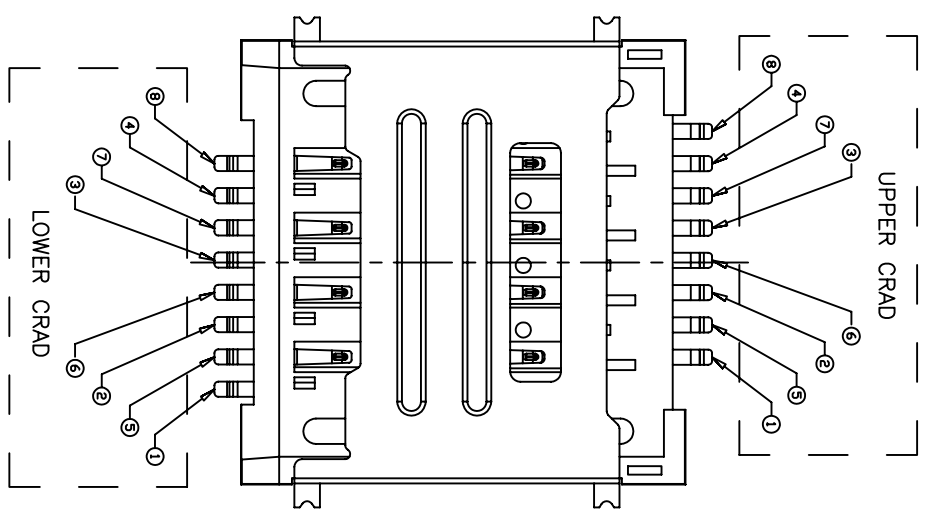
GENERAL TOLERANCE	
SELECT	✓
TOL.	1 2 3
DN.	±0.05/0.05/0.15
XXXX	±0.10/0.13/0.25
XXX	±0.15/0.25/0.5
XX	±0.20/0.38/1.00
X	ANGLE

UNITS	NAME
mm	
MAT'L	
NDNE	
FINISH	
NDNE	
Q'TY	
NDNE	
CHKD:	Vicky
DR:	Sarah

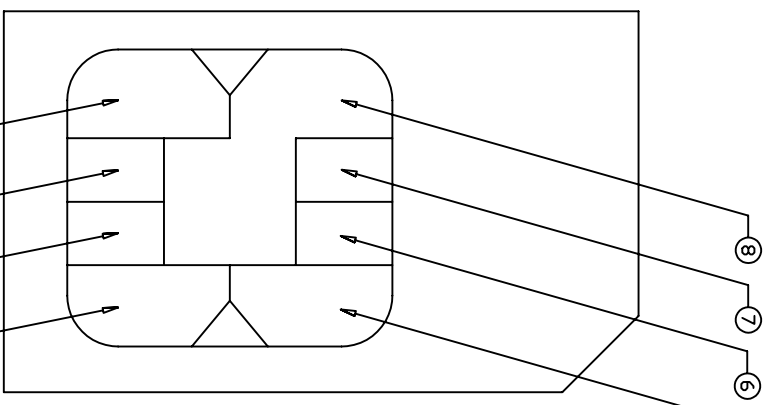
ITEM	PART NAME	DESCRIPTION	QTY
⑤	HOUSING UPPER	UL94V-0, BLACK COLOR	1PCS
④	HOUSING LOWER	UL94V-0, BLACK COLOR	1PCS
③	TERMINAL UPPER	COPPER ALLOY, Au PLATED	8PCS
②	TERMINAL UPPER	COPPER ALLOY, Au PLATED	8PCS
①	SHELL	STAINLESS STEEL SELECTED Au PLATED FOR SOLDER PAD	1PCS

TITLE:	
ATOM TECHNOLOGY CO., LTD.	
DUAL SIM CARD 1.27mm 8P H=3.0mm 端子鍍半金錫	
DWG NO.	STM
SCALE	1:1
SHEET	1 OF 2
REV	A

REV. DATE	08. 3. 20	MODIFICATION		APPROVER	Vicky
⑦					
⑧					
①					



TOP VIEW  
STACKED SOCKET



TOP VIEW  
SIM CARD

PIN NO.	NAME
PIN1	RESERVED
PIN2	CLK
PIN3	RST
PIN4	VCC
PIN5	RESERVED
PIN6	I/O
PIN7	VPP
PIN8	GND

GENERAL TOLERANCE		UNITS	mm	NAME	ATOM TECHNOLOGY CO., LTD.
SELECT	✓	MAT'L	NDNE	PART NO.:	ATOM010050030138
DN.	1	2	3	APPD:	
XXXX	±0.05/0.05/0.15	XXXX	±0.10/0.13/0.25	FINISH	NDNE
XX	±0.15/0.25/0.5	XX	±0.15/0.25/0.5	CHKD:	Vicky
X	±0.20/0.38/1.00	X	±0.20/0.38/1.00	DR:	Sarah
ANGLE	°			Q'TY	NDNE
TITLE:		DWG NO.		SCALE	
DUAL SIM CARD 1.27mm 8P H=3.0mm 端子镀半金锡		STM		1:1	
				SHEET	
				2 OF 2	
				REV	
				A	