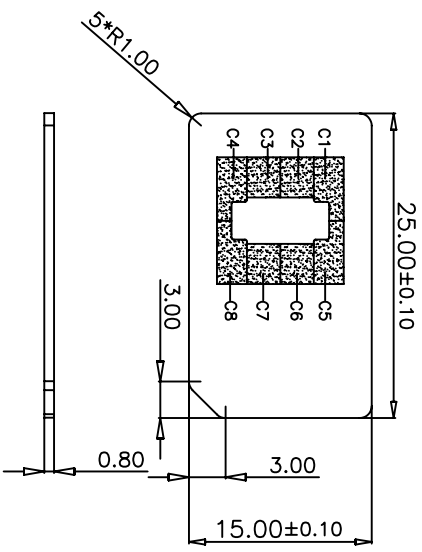
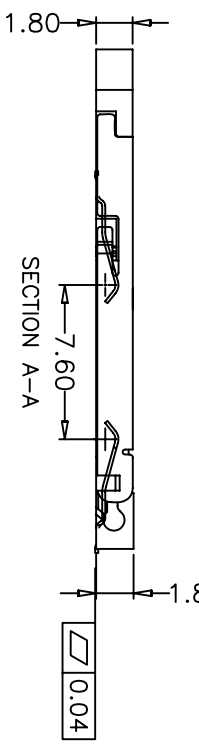
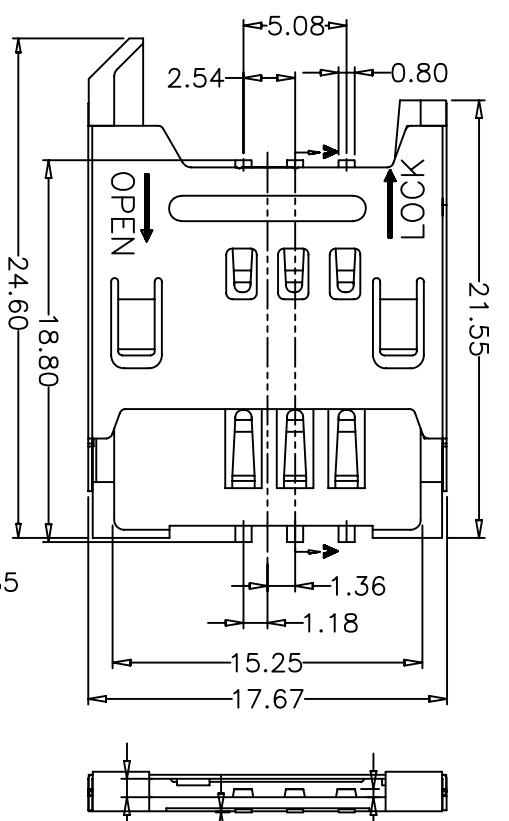


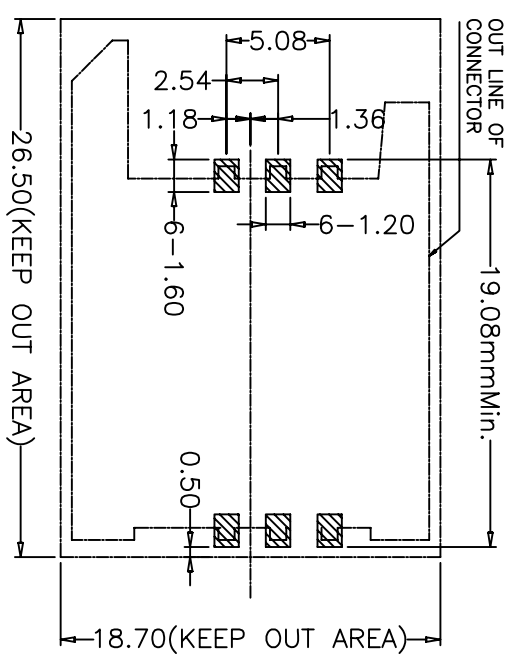
REV. DATE	MODIFICATION	APPROVER
11.2.13	NEW	Vicky
Ⓐ		
Ⓑ		
Ⓒ		

NOTE:

1. MATERIAL:
    - 1.1 HOUSING: High thermoplastic, UL 94V-0
    - COLOR: BLACK.
  - 1.2 TERMINAL : COPPER ALLOY
  - 1.3 SHELL: STAINLESS STEEL
2. FINISH:
- 2.1 TERMINAL: CONTACTG AREA:3u" GOLD OVER NICKEL
  - SOLDER AREA:1u" GOLD OVER NICKEL
3. RATING: OPERATING VOLTAGE: 250V  
CURRENT RATING: 1.0A  
OPERATING TEMPERATURE: -20°C~+85°C
4. ELECTRICAL:  
INSULATOR RESISTANCE: 1000MΩ Min.  
WITHSTANDING VOLTAGE: 500 VAC / Minute  
CONTACT RESISTANCE: 30mΩ Max.



PIN NO	PIN NAME
C1	VCC
C2	RST
C3	CLK
C4	Reserved
C5	GND
C6	VPP
C7	I/O
C8	Reserved



RECOMMENDED P.C.B LAYOUT  
GENERAL TOLERANCES: ±0.05

GENERAL TOLERANCE			UNITS mm		NAME		TITLE:	
SELECT	TOL		1	2	3	PART NO:	ATOM TECHNOLOGY CO., LTD.	SIM CARD 2.54mm 6P H=1.8mm 掀盖式
✓	1	2	3			ATOM010050030056		
	DN					APPD:		
	XXXX	±0.10	0.05	0.15		Vicky		
	XXX	±0.15	0.13	0.25		CHKD:		
	XX	±0.20	0.25	0.5		Ivy		
	X	±0.25	0.38	1.00		DR:		
	ANGLE	3°				Anna		

DWG NO. 卡座

SCALE 1:1

SHEET 1 OF 1

REV A